

## INHOUD

|   |           |
|---|-----------|
| <b>1.0 omreken tabellen draadtabel</b>            | <b>2</b>  |
| 1.1 Omreken tabellen                              | 3         |
| 1.2 Draadtabel                                    | 5         |
| <b>2.0 AFKORTINGEN BETEKENIS DRAADSOORTEN</b>     | <b>6</b>  |
| 2.1 Afkortingen                                   | 7         |
| 2.2 Mesh - Miron - Milimeters                     | 8         |
| <b>3.0 druk verliezen slang doorlaat</b>          | <b>9</b>  |
| 3.1 Druk verliezen in bar                         | 10        |
| 3.2 Slang doorlaat bepaling met nomogram          | 11        |
| <b>4.0 Conversie tabel</b>                        | <b>12</b> |
| 4.1 Milimeters <> Inches                          | 13        |
| 4.2 Centimeters <> Inches                         | 13        |
| <b>5.0 bestelsleutelen nozzle specificatie</b>    | <b>14</b> |
| 5.1 Bestelsleutel en nozzle specificatie          | 15        |
| 5.2 Artikelnummer overzicht                       | 16        |
| 5.3 Capaciteitstabel nozzle's 20 tot 70 Bar       | 18        |
| 5.4 Capaciteitstabel nozzle's van 80 tot 225 Bar  | 19        |
| 5.5 Capaciteitstabel nozzle's van 250 tot 500 Bar | 20        |



1.0 OMREKENTABELLEN DRAADTABEL



1.0



## 1.1 OMREKENTABELLEN

---

### BAR

---

|             |                                 |
|-------------|---------------------------------|
| 1 Bar       | = 14,50 PSI (pound square inch) |
| 100 Bar     | = 1450 PSI                      |
| 150 Bar     | = 2175 PSI                      |
| 1 US gallon | = 3,79 liters                   |

### SI-EENHEID VAN DRUK EN SPANNING

---

|           |                  |
|-----------|------------------|
| 1 Bar (-) | = 100 000 pascal |
|-----------|------------------|

### BAR NAAR ANDERE METRISCHE EENHEDEN

---

|           |   |
|-----------|---|
| 1 Bar (-) | = 0,01020 kilogramforce/vierkante millimeter (kgf/mm <sup>2</sup> ) |
| 1 Bar (-) | = 0,9869 normale atmosfeer (atm)                                    |
| 1 Bar (-) | = 0,1 megapascal (MPa)  |
| 1 Bar (-) | = 0,1 newton/vierkante millimeter (N/mm <sup>2</sup> )              |
| 1 Bar (-) | = 1,020 technische atmosfeer (at)                                   |
| 1 Bar (-) | = 100 kilopascal (kPa)  |
| 1 Bar (-) | = 750,2 millimeter kwikkolom (mm Hg)                                |
| 1 Bar (-) | = 1 000 hectopascal (hPa)   |
| 1 Bar (-) | = 1 000 millibar (mbar)   |

### BAR NAAR ENGELSTALIGE EENHEDEN

---

|           |  |
|-----------|--|
| 1 Bar (-) | = 14,50 pound-force/square inch (lbf/in <sup>2</sup> ) |
| 1 Bar (-) | = 2 089 pound-force/square foot (lbf/ft <sup>2</sup> ) |

Pound-force/square inch (lbf/in<sup>2</sup> of psi) is een Engelstalige eenheid van druk en spanning.

### SI-EENHEID VAN DE DRUKEN SPANNING

---

1 pound-force/square inch (lbf/in<sup>2</sup>) = 6 895 pascal (Pa)

### PSI NAAR ANDERE METRISCHE EENHEDEN

---

1 pound-force/square inch (lbf/in<sup>2</sup>) = 0,006895 megapascal (MPa)  
1 pound-force/square inch (lbf/in<sup>2</sup>) = 0,006895 newton/vierkante millimeter (N/mm<sup>2</sup>)  
1 pound-force/square inch (lbf/in<sup>2</sup>) = 0,06895 bar (-)  
1 pound-force/square inch (lbf/in<sup>2</sup>) = 68,95 hectopascal (hPa)  
1 pound-force/square inch (lbf/in<sup>2</sup>) = 68,95 newton/vierkante meter (N/m<sup>2</sup>)

### PSI NAAR ENGELSTALIGE EENHEDEN

---

1 pound-force/square inch (lbf/in<sup>2</sup>) = 144,0 pound-force/square foot (lbf/ft<sup>2</sup>)

### METRESCHЕ GWEINDENSCHLUSSE

---

1 Bar (-) = 100 000 pascal

### DRAADAFKOTINGEN

---

bu = Gemeten uitwendig op de draad in mm. = buitendraad  
bi = Gemeten inwendig op de draad in mm. = binnendraad

## 1.2 DRAADTABEL

### BUITENDRAAD SCHROEFDRAADIDENTIFICATIE

| D*mm  | spoed mm | gangen per/inch | BSP    | metrisch | NPT    | UN/JIC SAE    |
|-------|----------|-----------------|--------|----------|--------|---------------|
| 9,73  |          | 28              | 1/8"   |          |        |               |
| 10    | 1,0      |                 |        | M10x1    |        |               |
| 10,29 |          | 27              |        |          | 1/8"   |               |
| 11,07 |          | 20              |        |          |        | 7/16-20 UNF   |
| 12    | 1,5      |                 |        | M12x1,5  |        |               |
| 12,70 |          | 20              |        |          |        | 1/2-20 UNF    |
| 13,16 |          | 19              | 1/4"   |          |        |               |
| 13,72 |          | 18              |        |          | 1/4"   |               |
| 14    | 1,5      |                 |        | M14x1,5  |        |               |
| 14,25 |          | 18              |        |          |        | 9/16-18 UNF   |
| 15,85 |          | 18              |        |          |        | 5/8-18 UNF    |
| 16    | 1,5      |                 |        | M16x1,5  |        |               |
| 16,66 |          | 19              | 3/8"   |          |        |               |
| 17,15 |          | 18              |        |          | 3/8"   |               |
| 17,40 |          | 16              |        |          |        | 1 1/16-16 UNF |
| 18    | 1,5      |                 |        | M18x1,5  |        |               |
| 19    |          | 16              |        |          |        | 3/4-16 UNF    |
| 20    | 1,5      |                 |        | M20x1,5  |        |               |
| 20,50 |          | 16              |        |          |        |               |
| 20,96 |          | 14              | 1/2"   |          |        |               |
| 21,34 |          | 14              |        |          | 1/2"   |               |
| 22    | 1,5      |                 |        | M22x1,5  |        |               |
| 22,17 |          | 14              |        |          |        | 7/8-14 UNF    |
| 22,91 |          | 14              | 5/8"   |          |        |               |
| 24    | 1,5      |                 |        | M24x1,5  |        |               |
| 25,30 |          | 14              |        |          |        | 1-14 UN       |
| 26    | 1,5      |                 |        | M26x1,5  |        |               |
| 26,44 |          | 14              | 3/4"   |          |        |               |
| 26,67 |          | 14              |        |          | 3/4"   |               |
| 26,95 |          | 12              |        |          |        | 1 1/16-12 UN  |
| 26,95 |          | 14              |        |          |        | 1 1/16-14 UN  |
| 27    | 2        |                 |        | M27x2    |        |               |
| 30    | 1,5      |                 |        | M30x1,5  |        |               |
| 30    | 2        |                 |        | M30x2    |        |               |
| 30,10 |          | 12              |        |          |        | 1 3/16-12 UN  |
| 33    | 2        |                 |        | M33x2    |        |               |
| 33,25 |          | 11              | 1"     |          |        |               |
| 33,30 |          | 12              |        |          |        | 1 5/16-12 UN  |
| 33,40 |          | 11,5            |        |          | 1"     |               |
| 36    | 2        |                 |        | M36x2    |        |               |
| 36,40 |          | 12              |        |          |        | 1 7/16-12 UN  |
| 38    | 1,5      |                 |        | M38x1,5  |        |               |
| 41,22 |          | 12              |        |          |        | 1 5/8-12 UN   |
| 41,91 |          | 11              | 1.1/4" |          |        |               |
| 42    | 1,5      |                 |        | M42x1,5  |        |               |
| 42,2  |          |                 |        | M42x2    |        |               |
| 42,16 |          | 11,5            |        |          | 1.1/4" |               |
| 42,80 |          | 12              |        |          |        | 1 11/16-12 UN |
| 45    | 1,5      |                 |        | M45x1,5  |        |               |
| 45,2  |          |                 |        | M45x2    |        |               |
| 47,57 |          | 12              |        |          |        | 1 7/8-12 UN   |
| 47,80 |          | 11              | 1.1/2" |          |        |               |
| 48    | 2        |                 |        | M48x2    |        |               |
| 48,26 |          | 11,5            |        |          | 1.1/2" |               |
| 50,70 |          | 12              |        |          |        | 2-12 UN       |
| 52    | 1,5      |                 |        | M52x1,5  |        |               |
| 52    | 2        |                 |        | M52x2    |        |               |
| 59,62 |          | 11              | 2"     |          | 2"     |               |
| 60,33 |          | 11,5            |        |          |        |               |
| 63,45 |          | 12              |        |          |        | 2 1/2-12 UN   |
| 65    | 2        |                 |        | M65x2    |        |               |

### BINNENDRAAD SCHROEFDRAADIDENTIFICATIE

| D*mm  | spoed mm | gangen per/inch | BSP    | metrisch | NPT    | UN/JIC SAE    |
|-------|----------|-----------------|--------|----------|--------|---------------|
| 8,60  |          | 28              | 1/8"   |          |        |               |
| 9,0   | 1        |                 |        | M10x1    |        |               |
| 9,23  |          | 27              |        |          | 1/8"   |               |
| 10,0  |          | 20              |        |          |        | 7/16-20 UNF   |
| 10,5  | 1,5      |                 |        | M12x1,5  |        |               |
| 11,5  |          | 19              | 1/4"   |          |        |               |
| 11,6  |          | 20              |        |          |        | 1/2-20 UNF    |
| 12,12 |          | 18              |        |          | 1/4"   |               |
| 12,5  | 1,5      |                 |        | M14x1,5  |        |               |
| 13,0  |          | 18              |        |          |        | 9/16-18 UNF   |
| 14,5  | 1,5      |                 |        | M16x1,5  |        |               |
| 14,7  |          | 18              |        |          |        | 5/8-18 UNF    |
| 14,9  |          | 19              | 3/8"   |          |        |               |
| 15,4  |          | 16              |        |          |        | 1 1/16-16 UNF |
| 15,54 |          | 18              |        |          | 3/8"   |               |
| 16,5  | 1,5      |                 |        | M18x1,5  |        |               |
| 17,6  |          | 16              |        |          |        | 3/4-16 UNF    |
| 18,5  | 1,5      |                 |        | M20x1,5  |        |               |
| 18,6  |          | 14              | 1/2"   |          |        |               |
| 18,6  |          | 16              |        |          |        | 1 3/16-16 UNF |
| 19,26 |          | 14              |        |          | 1/2"   |               |
| 20,5  | 1,5      |                 |        | M22x1,5  |        |               |
| 20,5  |          | 14              |        |          |        | 7/8-14 UNF    |
| 20,6  |          | 14              | 5/8"   |          |        |               |
| 22,5  | 1,5      |                 |        | M24x1,5  |        |               |
| 23,1  |          | 14              |        |          |        | 1-14 UN       |
| 24,1  |          | 14              | 3/4"   |          |        |               |
| 24,5  | 1,5      |                 |        | M26x1,5  |        |               |
| 24,57 |          | 14              |        |          | 3/4"   |               |
| 25,0  |          | 14              |        |          |        | 1 1/16-14 UN  |
| 25    |          | 12              |        |          |        | 1 1/16-12 UN  |
| 25,0  | 2        |                 |        | M27x2    |        |               |
| 27,5  | 1        | 12              |        |          |        | 3/16-12 UN    |
| 28,0  | 2        |                 |        | M30x2    |        |               |
| 28,5  | 1,5      |                 |        | M30x1,5  |        |               |
| 30,3  |          | 11              | 1"     |          |        |               |
| 30,83 |          | 11,5            |        |          | 1"     |               |
| 31    | 2        |                 |        | M33x2    |        |               |
| 31,3  |          | 12              |        |          |        | 1 5/16-12 UN  |
| 33,8  |          | 12              |        |          |        | 1 7/16-12 UN  |
| 34    | 2        |                 |        | M36x2    |        |               |
| 36,5  | 1,5      |                 |        | M38x1,5  |        |               |
| 38,9  |          | 11              | 1.1/4" |          |        |               |
| 39,2  |          | 12              |        |          |        | 1 5/8-12 UN   |
| 39,55 |          | 11,5            |        |          | 1.1/4" |               |
| 40    | 2        |                 |        | M42x2    |        |               |
| 40,2  |          | 12              |        |          |        | 1 11/16-12 UN |
| 40,5  | 1,5      |                 |        | M42x1,5  |        |               |
| 43    | 2        |                 |        | M45x2    |        |               |
| 43,5  | 1,5      |                 |        | M45x1,5  |        |               |
| 44,9  |          | 11              | 1.1/2" |          |        |               |
| 45,6  |          | 12              |        |          |        | 1 7/8-12 UN   |
| 45,62 |          | 11,5            |        |          | 1.1/2" |               |
| 46    | 2        |                 |        | M48x2    |        |               |
| 48,1  |          | 12              |        |          |        | 2-12 UN       |
| 50    | 2        |                 |        | M52x2    |        |               |
| 50,5  | 1,5      |                 |        | M52x1,5  |        |               |
| 56,66 |          | 11              | 2"     |          |        |               |
| 57,63 |          | 11,5            |        |          | 2"     |               |
| 61,5  |          | 12              |        |          |        | 2 1/2-12 UN   |
| 63    | 2        |                 |        | M65x2    |        |               |

\* D = kleinste draaddiameter op de draad gemeten

## 2.0 AFKORTINGEN BETEKENIS DRAADSOORTEN

2.0

## 2.1 AFKORTINGEN

|      |  |  |
|------|--|--|
| API  | American Petroleum Institute                 | Amerikaans Petroleum Inst  |
| ASTP | zie NPT                                      | zie NPT  |
| BA   | British Association                          | Britse vereniging  |
| BSF  | British Standard Fine                        | Whitworth schroefdraad fijne stap  |
| BSP  | British Standard Pipe                        | Whitworth schroefdraad voor cilindrische buizen                                |
| BSPT | British Standard Pipe Taper                  | Whitworth schroefdraad voor konische buizen                                    |
| BSW  | British Standard Whitworth                   | Whitworth schroefdraad normale stap  |
| C    | Cycles                                       | Schroefdraad voor fietsen  |
| E    | Edison                                       | Edison of electroschroefdraad  |
| ISO  | International Standard Organisation          | Internationale organisatie voor Normalisatie                                   |
| KR   | Zie BSPT                                     | -  |
| M    | Metrisch                                     | Metrische schroefdraad   |
| N    | American National                            | Amerikaanse schroefdraad   |
| NC   | American National Coarse                     | Amerikaanse schroefdraad met normale stap                                      |
| NF   | American National Fine                       | Amerikaanse schroefdraad met fijne stap  |
| NEF  | American National Extra Fine                 | Amerikaanse schroefdraad met extra fijne stap schroefdraad voor buizen         |
| NPS  | American National Pipe                       | Amerikaanse cilindrische Standard  |
| NPSF | American National Pipe Standard Fuel         | Amerikaanse cilindrische (Dryseal) schroefdraad "droge" afdichting voor buizen |
| NPT  | American National Pipe Taper                 | Amerikaanse konische draad voor buizen   |
| NPTF | American National Pipe Taper Fuel ( Dryseal) | Amerikaanse konische draad "droge afdichting" buizen                           |
| NS   | American National Special                    | Amerikaanse schroefdraad met speciale stap                                     |
| PG   | = Pr   | Schroefdraad voor versterkte buizen  |
| R    | = BSP  | -  |
| Rd   | -  | Ronde schroefdraad   |
| SAE  | = NF   | -  |
| SI   | Système International                        | Metrische schroefdraad met normale stap  |
| SIF  | Système International Fine                   | Metrische schroefdraad met fijne stap  |
| Tv   | -  | Trapeziumvormige schroefdraad  |
| UN   | Unified National                             | Unie-schroefdraad  |
| UNC  | Unified National Coarse                      | Unie-schroefdraad normale stap   |
| UNF  | Unified National Fine                        | Unie-schroefdraad met fijne stap   |
| UNs  | Unified National Special                     | Unie-schroefdraad met speciale stap  |
| UNEF | Unified National Extra Fine                  | Unie-schroefdraad met extra fijne stap   |
| USS  | = NC = Sellers                               | -  |
| W    | = BSW  | Withworth schroefdraad   |

## 2.2 MESH - MIRON - MILIMETERS

| U.S. MESH | INCHES | MICRONS | MILLIMETERS |
|-----------|--------|---------|-------------|
| 3         | 0.2650 | 6730    | 6.730       |
| 4         | 0.1870 | 4760    | 4.760       |
| 5         | 0.1570 | 4000    | 4.000       |
| 6         | 0.1320 | 3360    | 3.360       |
| 7         | 0.1110 | 2830    | 2.830       |
| 8         | 0.0937 | 2380    | 2.380       |
| 10        | 0.0787 | 2000    | 2.000       |
| 12        | 0.0661 | 1680    | 1.680       |
| 14        | 0.0555 | 1410    | 1.410       |
| 16        | 0.0469 | 1190    | 1.190       |
| 18        | 0.0394 | 1000    | 1.000       |
| 20        | 0.0331 | 841     | 0.841       |
| 25        | 0.0280 | 707     | 0.707       |
| 30        | 0.0232 | 595     | 0.595       |
| 35        | 0.0197 | 500     | 0.500       |
| 40        | 0.0165 | 400     | 0.400       |
| 45        | 0.0138 | 354     | 0.354       |
| 50        | 0.0117 | 297     | 0.297       |
| 60        | 0.0098 | 250     | 0.250       |
| 70        | 0.0083 | 210     | 0.210       |
| 80        | 0.0070 | 177     | 0.177       |
| 100       | 0.0059 | 149     | 0.149       |
| 120       | 0.0049 | 125     | 0.125       |
| 140       | 0.0041 | 105     | 0.105       |
| 170       | 0.0035 | 88      | 0.088       |
| 200       | 0.0029 | 74      | 0.074       |
| 230       | 0.0024 | 63      | 0.063       |
| 270       | 0.0021 | 53      | 0.053       |
| 325       | 0.0017 | 44      | 0.044       |
| 400       | 0.0015 | 37      | 0.037       |



## 3.0 DRUKVERLIEZEN SLANGDOORLAAT

3.0

## 3.1 DRUKVERLIEZEN IN BAR

### DRUKVERLIEZEN IN BAR BIJ 10 METER SLANGLENGTE

→ = HORIZONTAAL DE VERSCHILLENDE INWENDIGE SLANGDIAMETERS

↑ = VERTICAAL DE OPBRENGST IN LITERS PER MINUUT

| L/min | 3/16"<br>NW 5 | 1/4"<br>NW 6 | 5/16"<br>NW 8 | 3/8"<br>NW 10 | 1/2"<br>NW 13 | 5/8"<br>NW 16 | 3/4"<br>NW 19 | 1"<br>NW 25 |
|-------|---------------|--------------|---------------|---------------|---------------|---------------|---------------|-------------|
| 10    | 16,2          | 5,2          | 1,7           |               |               |               |               |             |
| 15    | 32,9          | 10,6         | 3,5           | 1,5           |               |               |               |             |
| 20    |               | 17,5         | 5,8           | 2,5           |               |               |               |             |
| 25    |               | 25,8         | 8,6           | 3,8           | 1,0           |               |               |             |
| 32    |               | 35,5         | 11,9          | 5,2           | 1,3           |               |               |             |
| 35    |               | 46,5         | 15,5          | 6,8           | 1,7           |               |               |             |
| 40    |               |              | 19,6          | 8,6           | 2,2           |               |               |             |
| 45    |               |              | 24,1          | 10,5          | 2,7           |               |               |             |
| 50    |               |              | 29,0          | 12,7          | 3,2           | 1,1           |               |             |
| 55    |               |              | 34,3          | 15,0          | 3,8           | 1,3           |               |             |
| 60    |               |              | 39,9          | 17,4          | 4,4           | 1,5           |               |             |
| 65    |               |              | 45,9          | 20,0          | 5,1           | 1,8           |               |             |
| 70    |               |              |               | 22,8          | 5,8           | 2,0           |               |             |
| 75    |               |              |               | 25,7          | 6,6           | 2,3           | 1,0           |             |
| 80    |               |              |               | 28,8          | 7,3           | 2,5           | 1,1           |             |
| 85    |               |              |               | 32,0          | 8,2           | 2,8           | 1,2           |             |
| 90    |               |              |               | 35,4          | 9,0           | 3,1           | 1,3           |             |
| 95    |               |              |               | 39,8          | 9,9           | 3,4           | 1,4           |             |
| 100   |               |              |               | 42,6          | 10,9          | 3,8           | 1,6           |             |
| 105   |               |              |               | 46,4          | 11,8          | 4,1           | 1,7           |             |
| 110   |               |              |               |               | 12,8          | 4,4           | 1,9           |             |
| 115   |               |              |               |               | 13,9          | 4,8           | 2,0           |             |
| 120   |               |              |               |               | 14,9          | 5,2           | 2,2           | 0,6         |
| 125   |               |              |               |               | 16,0          | 5,6           | 2,3           | 0,6         |
| 130   |               |              |               |               | 17,2          | 5,9           | 2,5           | 0,6         |
| 135   |               |              |               |               | 18,4          | 6,4           | 2,7           | 0,7         |
| 140   |               |              |               |               | 19,6          | 6,8           | 2,9           | 0,7         |

## 3.2 SLANGDOORLAAT BEPALING MET NOMOGRAM

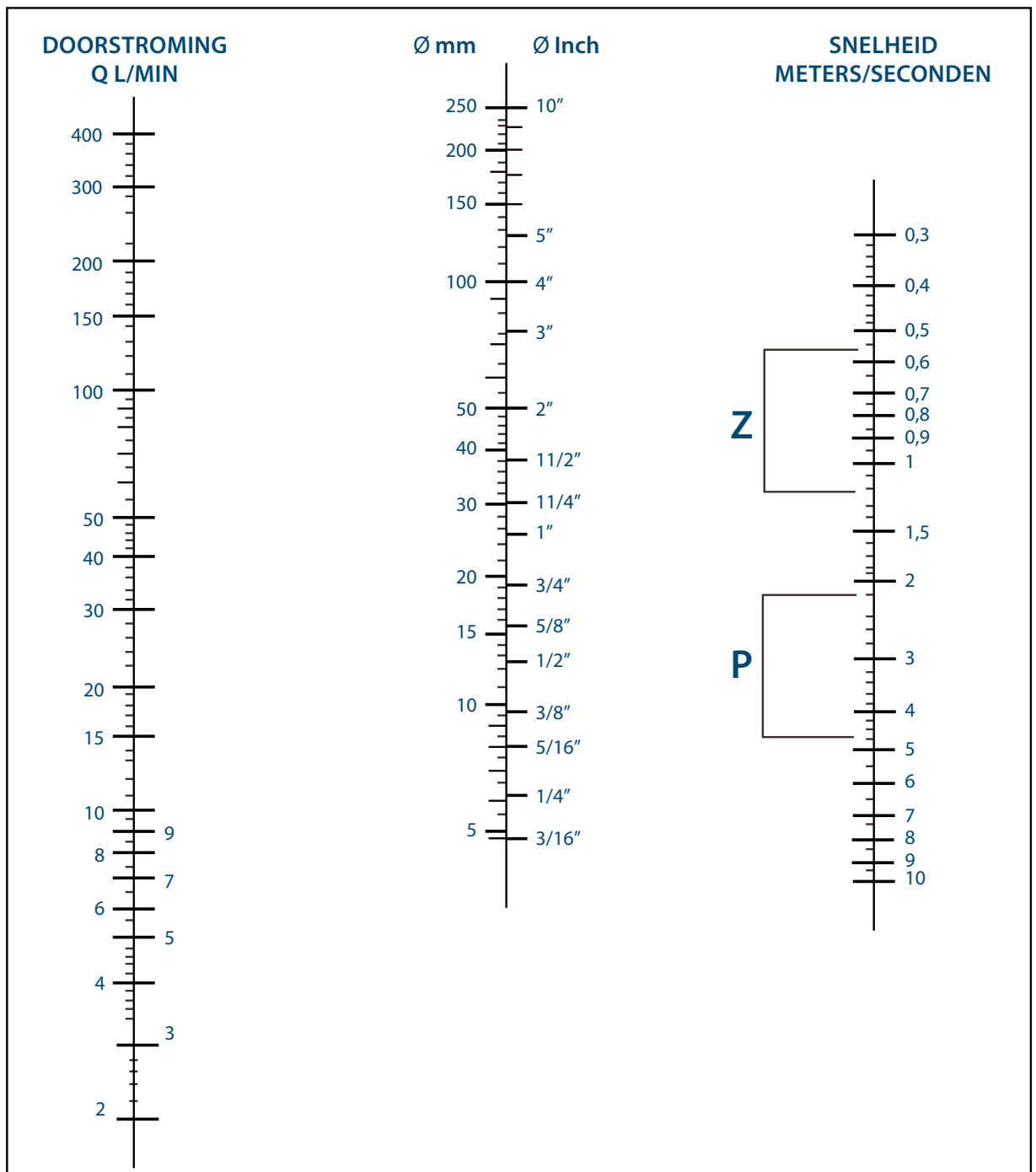
Slangdoorlaat bepalen door middel van onderstaand Nomogram. Bepaal eerst voor uw toepassing de juiste slang. Hiermee voorkomt u onnodig drukverlies door wrijvingsverliezen.

Werkdruk en opbrengst ( liters per minuut ) moeten bekend zijn. De ideale stroomsnelheid is 2 tot maximaal 3 meter per seconde.

Trek een lijn van Q (L/min. ) naar V ( m/sec. ) In het midden van de grafiek wordt dan de juiste DN maat aan de linkerkant van de pijl gegeven.

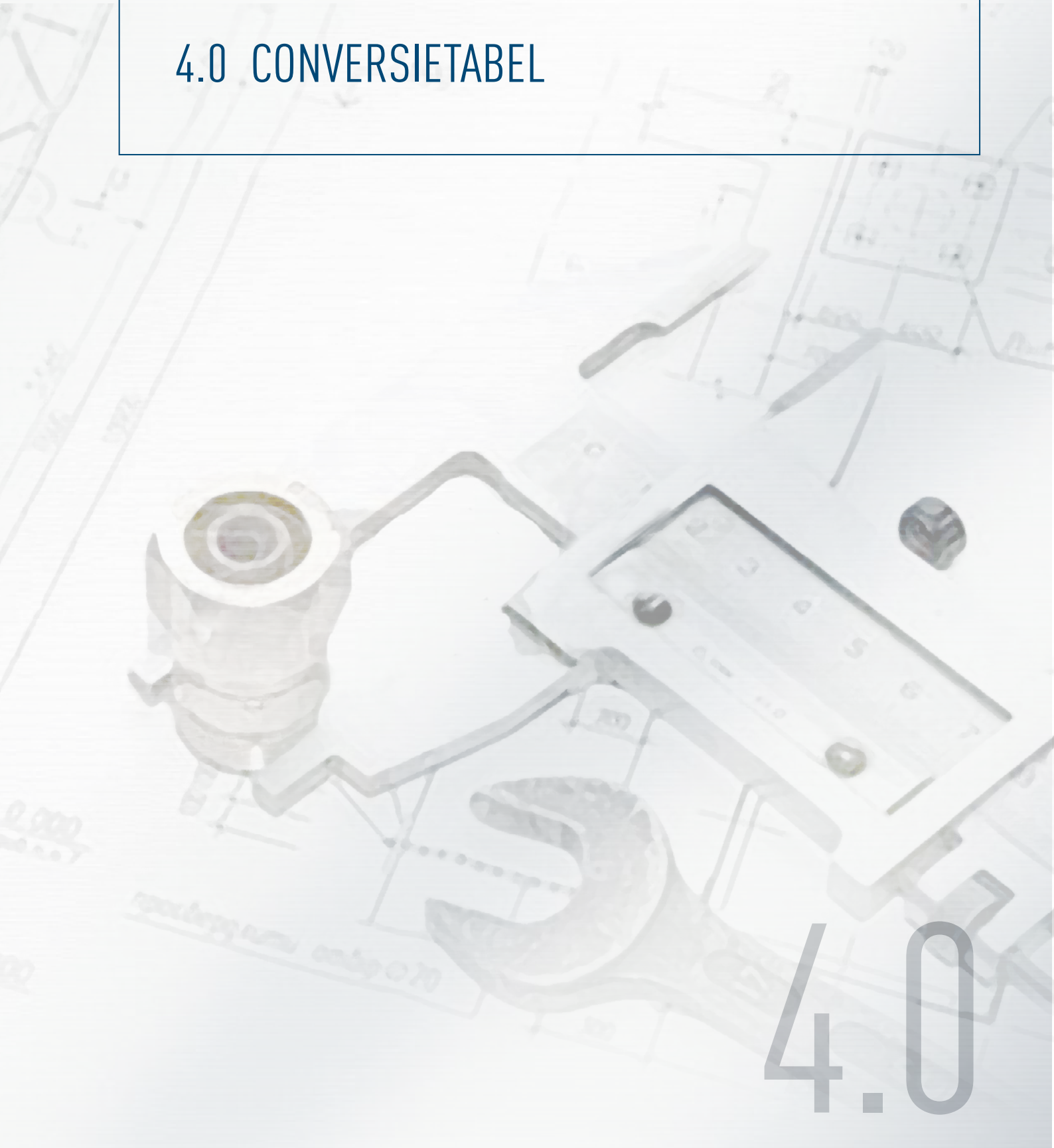
DN 6 = 1/4" inwendig.  
 DN8 = 5/16" inwendig.  
 DN10 = 3/8" inwendig.  
 DN12 = 1/2" inwendig.

**Z:** voor retour- en zuigleidingen  
 aanbevolen  
**P:** voor persleidingen aanbevolen





# 4.0 CONVERSIETABEL



# 4.0

## 4.1 MILIMETERS <> INCHES

### MILIMETERS NAAR INCHES

|        |        |
|--------|--------|
| 1.5 mm | 1/16"  |
| 2 mm   | 1/12"  |
| 2.5 mm | 3/32"  |
| 3 mm   | 1/8"   |
| 4 mm   | 1/6"   |
| 5 mm   | 3/16"  |
| 6 mm   | 1/4"   |
| 7 mm   | 9/32"  |
| 8 mm   | 5/16"  |
| 9 mm   | 3/8"   |
| 10 mm  | 3/8"   |
| 11 mm  | 7/16"  |
| 12 mm  | 1/2"   |
| 14 mm  | 9/16"  |
| 15 mm  | 3/5"   |
| 16 mm  | 5/8"   |
| 18 mm  | 3/4"   |
| 19 mm  | 3/4"   |
| 20 mm  | 3/4"   |
| 25 mm  | 1"     |
| 28 mm  | 1 1/8" |
| 30 mm  | 1 1/6" |
| 32 mm  | 1 1/4" |
| 35 mm  | 1 3/8" |

|        |         |
|--------|---------|
| 36 mm  | 1 3/8"  |
| 38 mm  | 1 1/2"  |
| 40 mm  | 1 3/5"  |
| 45 mm  | 1 3/4"  |
| 50 mm  | 2"      |
| 55 mm  | 2 1/8"  |
| 60 mm  | 6 3/8"  |
| 65 mm  | 2 1/2"  |
| 68 mm  | 2 2/3"  |
| 70 mm  | 2 3/4"  |
| 80 mm  | 3 1/6"  |
| 85 mm  | 3 1/3"  |
| 90 mm  | 3 1/2"  |
| 95 mm  | 3 3/4"  |
| 100 mm | 4"      |
| 120 mm | 4 3/4"  |
| 150 mm | 6"      |
| 175 mm | 6 7/8"  |
| 180 mm | 7"      |
| 200 mm | 7 7/8"  |
| 240 mm | 9 1/2"  |
| 350 mm | 13 3/4" |
| 400 mm | 15 3/4" |

### INCHES NAAR MILIMETERS

|        |        |
|--------|--------|
| 1/16"  | 1.5 mm |
| 1/12"  | 2 mm   |
| 3/32"  | 2.5 mm |
| 1/8"   | 3 mm   |
| 1/6"   | 4 mm   |
| 3/16"  | 5 mm   |
| 1/4"   | 6 mm   |
| 9/32"  | 7 mm   |
| 5/16"  | 8 mm   |
| 3/8"   | 9 mm   |
| 3/8"   | 10 mm  |
| 7/16"  | 11 mm  |
| 1/2"   | 12 mm  |
| 9/16"  | 14 mm  |
| 3/5"   | 15 mm  |
| 5/8"   | 16 mm  |
| 3/4"   | 18 mm  |
| 3/4"   | 19 mm  |
| 3/4"   | 20 mm  |
| 1"     | 25 mm  |
| 1 1/8" | 28 mm  |
| 1 1/6" | 30 mm  |
| 1 1/4" | 32 mm  |
| 1 3/8" | 35 mm  |

|         |        |
|---------|--------|
| 1 3/8"  | 36 mm  |
| 1 1/2"  | 38 mm  |
| 1 3/5"  | 40 mm  |
| 1 3/4"  | 45 mm  |
| 2"      | 50 mm  |
| 2 1/8"  | 55 mm  |
| 2 3/8"  | 60 mm  |
| 2 1/2"  | 65 mm  |
| 2 2/3"  | 68 mm  |
| 2 3/4"  | 70 mm  |
| 3 1/6"  | 80 mm  |
| 3 1/3"  | 85 mm  |
| 3 1/2"  | 90 mm  |
| 3 3/4"  | 95 mm  |
| 4"      | 100 mm |
| 4 3/4"  | 120 mm |
| 6"      | 150 mm |
| 6 7/8"  | 175 mm |
| 7"      | 180 mm |
| 7 7/8"  | 200 mm |
| 9 1/2"  | 240 mm |
| 13 3/4" | 350 mm |
| 15 3/4" | 400 mm |

## 4.2 CENTIMETERS <> INCHES

### CENTIMETERS NAAR INCHES

|        |         |
|--------|---------|
| 50 cm  | 19 2/3" |
| 80 cm  | 31"     |
| 50 cm  | 59"     |
| 200 cm | 79"     |
| 250 cm | 98"     |
| 300 cm | 118"    |
| 350 cm | 138"    |
| 400 cm | 157"    |

### INCHES NAAR CENTIMETERS

|         |        |
|---------|--------|
| 19 2/3" | 50 cm  |
| 31"     | 80 cm  |
| 59"     | 50 cm  |
| 79"     | 200 cm |
| 98"     | 250 cm |
| 118"    | 300 cm |
| 138"    | 350 cm |
| 157"    | 400 cm |



5.0 BESTELSLEUTELN NOZZLE SPECIFICATIE

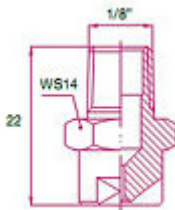


5.0



## 5.1 BESTELSLEUTEL EN NOZZLE SPECIFICATIE

| Draad                 | Spuithoek             | Doorlaat                   |
|-----------------------|-----------------------|----------------------------|
| 1/4" buitendraad = 40 | 0 - 15 - 25 - 40 - 65 | zie nozzletabel pag. 4/5/6 |
| 1/8" buitendraad = 80 | 0 - 15 - 25 - 40 - 65 | zie nozzletabel pag. 4/5/6 |
| Kärchertip = 60       | 0 - 15 - 25 - 40 - 65 | zie nozzletabel pag. 4/5/6 |



### VOORBEELD BESTELSLEUTEL

| Artikel nummer | Draad         | Spuithoek | Doorlaat |
|----------------|---------------|-----------|----------|
| 4040090        | 40 = 1/4" bu  | 40        | 090      |
| 6015050        | 60 Kärchertip | 15        | 050      |
| 8065070        | 80 = 1/8"     | 65        | 070      |

### SPUITHOEK SCHEMA

| Spuithoek | Afstand 10cm | Afstand 20cm | Afstand 50cm |
|-----------|--------------|--------------|--------------|
| 15°       | 2,6          | 5,3          | 13,2         |
| 25°       | 4,4          | 11,1         | 22,2         |
| 40°       | 7,3          | 14,6         | 36,4         |
| 65°       | 12,7         | 25,5         | 63,7         |

### SPROEIBEELD

#### Vlakstraal

Hoge impact.  
Verlopende randen ideaal  
voor overlapping.



#### Puntstraal

Zeer hoge impact.  
Klein oppervlak.  
Reiniging op grote afstand.



## 5.2 ARTIKELNUMMER OVERZICHT

### RVS NOZZLE'S 1/4" BUITENDRAAD

| D   | 0°        | 15°       | 25°       | 40°       | 65°       |
|-----|-----------|-----------|-----------|-----------|-----------|
| 15  | 4000015RP | 4015015SP |           | 4040015   | 4065010   |
| 20  | 4000020   | 4015020   | 4025020   | 4040020   | 4065020   |
| 25  | 4000025   | 4015025   | 4025025   | 4040025   | 4065025   |
| 28  |           |           |           | 4040028   |           |
| 30  | 4000030   | 4015030   | 4025030   | 4040030   | 4065030   |
| 35  | 4000035   | 4015035   | 4025035   | 4040035   | 4065035   |
| 40  | 4000040   | 4015040   | 4025040   | 4040040   | 4065040   |
| 45  | 4000045   | 4015045   | 4025045   | 4040045   | 4065045   |
| 50  | 4000050   | 4015050   | 4025050   | 4040050   | 4065050   |
| 55  | 4000055   | 4015055   | 4025055   | 4040055   | 4065055   |
| 60  | 4000060   | 4015060   | 4025060   | 4040060   | 4065060   |
| 65  | 4000065   | 4015065   | 4025065   | 4040065   | 4065065   |
| 70  | 4000070   | 4015070   | 4025070   | 4040070   | 4065070   |
| 75  | 4000075   | 4015075   | 4025075   | 4040075   |           |
| 80  | 4000080   | 4015080   | 4025080   | 4040080   | 4065080   |
| 85  | 4000085   | 4015085   | 4025085   | 4040085   |           |
| 90  | 4000090   | 4015090   | 4025090   | 4040090   | 4065090   |
| 95  |           |           | 4025095   |           |           |
| 100 | 4000100   | 4015100   | 4025100   | 4040100   | 4065100   |
| 110 | 4000110   | 4015110   | 4025110   | 4040110   |           |
| 120 | 4000120SP |           | 4025120RP | 4040120   |           |
| 125 | 4000125   | 4015125   | 4025125   | 4040125   |           |
| 130 | 4000130   | 4015130   | 4025130   | 4040130   |           |
| 140 | 4000140   | 4015140   | 4025140   |           |           |
| 150 | 4000150   | 4015150   | 4025150   | 4040150   | 4065150   |
| 180 | 4000180RP | 4015180RP | 4025180RP |           |           |
| 200 | 4000200   | 4015200RP | 4025200RP | 4040200   | 4065200   |
| 250 | 4000250   | 4015250RP | 4025250RP | 4040250   |           |
| 300 | 4000300   | 4015300RP | 4025300RP | 4040300   | 4065300SP |
| 350 |           | 4015350RP | 4025350RP | 4040350   |           |
| 400 | 4000400RP | 4015400RP | 4025400RP | 4040400RP |           |
| 500 | 4000500RP | 4015500RP | 4025500RP | 4040500RP |           |
| 600 | 4000600RP | 4015600RP | 4025600RP | 4040600RP |           |

### RVS NOZZLE'S 1/4" BUITENDRAAD MET KERAMISCHE INSERT

| D  | 0°        | 15°       | 25°       | 40°       |
|----|-----------|-----------|-----------|-----------|
| 20 | 4000020KE | 4015020KE | 4025020KE |           |
| 30 | 4000030KE | 4015030KE |           |           |
| 35 | 4000035KE |           |           |           |
| 40 | 4000040KE | 4015040KE | 4025035KE | 4040040KE |
| 45 |           | 4015045KE | 4025045KE |           |
| 50 |           | 4015050KE | 4025050KE | 4040050KE |
| 55 | 4000055KE | 4015055KE | 4025055KE |           |
| 60 |           |           | 4025060KE |           |
| 65 |           | 4015065KE |           |           |
| 70 |           |           | 4025070KE |           |



## 5.2 ARTIKELNUMMER OVERZICHT

### RVS NOZZLE'S 1/8" BUITENDRAAD

| D   | 0°        | 15°     | 25°       | 40°     | 65°     |
|-----|-----------|---------|-----------|---------|---------|
| 20  | 8000020   | 8015020 | 8025020   | 8040020 | 8065020 |
| 50  |           | 8015025 | 8025025   |         |         |
| 30  | 8000030   | 8015030 | 8025030   | 8040030 | 8065030 |
| 35  |           | 8015035 | 8025035   |         |         |
| 40  | 8000040   | 8015040 | 8025040   | 8040040 | 8065040 |
| 45  | 8000045   | 8015045 | 8025045   | 8040045 | 8065045 |
| 50  | 8000050   | 8015050 | 8025050   | 8040050 | 8065050 |
| 55  | 8000055   | 8015055 | 8025055   | 8040055 |         |
| 60  | 8000060   | 8015060 | 8025060   | 8040060 | 8065060 |
| 65  | 8000065   | 8015065 | 8025065   | 8040065 |         |
| 70  | 8000070RP | 8015070 | 8025070   | 8040070 | 8065070 |
| 75  | 8000075   | 8015075 | 8025075   | 8040075 |         |
| 80  | 8000080   | 8015080 | 8025080   | 8040080 |         |
| 85  | 8000085   | 8015085 | 8025085   | 8040085 |         |
| 90  | 8000090   | 8015090 | 8025090   | 8040090 |         |
| 100 | 8000100   | 8015100 | 8025100SP |         |         |
| 110 |           |         | 8025110SP |         |         |
| 150 |           | 8015150 | 8025150   |         |         |
| 200 |           |         |           |         |         |

### RVS NOZZLE'S EG-UITVOERING, PASSEND OP KÄRCHER

| D   | 0°      | 15°     | 25°     | 40°     | 65°     |
|-----|---------|---------|---------|---------|---------|
| 20  | 6000020 | 6015020 | 6025020 | 6040020 | 6065020 |
| 25  |         | 6015025 | 6025025 | 6040025 | 6065025 |
| 30  | 6000030 | 6015030 | 6025030 | 6040030 |         |
| 35  |         | 6015035 | 6025035 | 6040034 | 6065035 |
| 40  | 6000040 | 6015040 | 6025040 | 6040040 |         |
| 45  | 6000045 | 6015045 | 6025045 | 6040045 | 6065045 |
| 50  | 6000050 | 6015050 | 6025050 | 6040050 | 6065050 |
| 55  | 6000055 | 6015055 | 6025055 | 6040055 |         |
| 60  | 6000060 | 6015060 | 6025060 | 6040060 |         |
| 65  | 6000065 | 6015065 | 6025065 | 6040065 |         |
| 70  |         | 6015070 | 6025070 | 6040070 |         |
| 75  | 6000070 |         | 6025075 |         |         |
| 80  | 6000080 | 6015080 | 6025080 | 6040080 |         |
| 85  |         |         | 6025085 |         |         |
| 90  | 6000090 | 6015090 | 6025090 |         |         |
| 100 | 6000100 | 6015100 | 6025100 | 6040100 |         |
| 120 |         | 6015120 |         |         |         |
| 125 | 6000125 |         |         |         |         |
| 130 |         | 6015130 |         |         |         |
| 150 | 6000150 | 6015150 | 6025150 |         |         |
| 300 | 6000300 |         |         |         |         |

## 5.3 CAPACITEITSTABEL NOZZLE'S 20 TOT 70 BAR

| Maat       | Bar → | 20    | 25    | 30    | 35    | 40    | 50    | 60    | 70    |
|------------|-------|-------|-------|-------|-------|-------|-------|-------|-------|
| <b>20</b>  | 0.90  | 2.02  | 2.30  | 2.50  | 2.70  | 2.86  | 3.20  | 3.50  | 3.80  |
| <b>25</b>  | 1.00  | 2.52  |       |       |       | 3.56  |       | 4.36  |       |
| <b>30</b>  | 1.10  | 3.06  | 3.40  | 3.70  | 4.00  | 4.33  | 4.80  | 5.30  | 5.70  |
| <b>35</b>  | 1.15  | 3.50  |       |       |       | 4.95  |       | 6.06  |       |
| <b>40</b>  | 1.20  | 4.10  | 4.60  | 5.00  | 5.40  | 5.80  | 6.40  | 7.10  | 7.60  |
| <b>45</b>  | 1.30  | 4.62  | 5.10  | 5.60  | 6.10  | 6.53  | 7.30  | 8.00  | 8.60  |
| <b>50</b>  | 1.35  | 5.16  | 5.70  | 6.20  | 6.70  | 7.30  | 8.10  | 8.94  | 9.50  |
| <b>55</b>  | 1.40  | 5.62  | 6.30  | 6.90  | 7.40  | 7.95  | 8.90  | 9.73  | 10.50 |
| <b>60</b>  | 1.45  | 6.16  | 6.80  | 7.50  | 8.10  | 8.71  | 9.70  | 10.67 | 11.40 |
| <b>65</b>  | 1.50  | 6.64  | 7.40  | 8.10  | 8.80  | 9.39  | 10.50 | 11.50 | 12.40 |
| <b>70</b>  | 1.55  | 7.12  | 8.00  | 8.70  | 9.40  | 10.07 | 11.30 | 12.33 | 13.30 |
| <b>75</b>  | 1.60  | 7.60  | 8.50  | 9.40  | 10.10 | 10.75 | 12.10 | 13.16 | 14.30 |
| <b>80</b>  | 1.70  | 8.12  | 9.10  | 10.00 | 10.80 | 11.48 | 12.90 | 14.06 | 15.30 |
| <b>85</b>  | 1.75  | 8.90  | 9.70  | 10.60 | 11.50 | 12.59 | 13.70 | 15.42 | 16.20 |
| <b>90</b>  | 1.80  | 9.12  | 10.30 | 11.20 | 12.10 | 12.90 | 14.50 | 15.80 | 17.20 |
| <b>100</b> | 1.90  | 10.12 | 11.40 | 12.50 | 13.50 | 14.32 | 16.10 | 17.53 | 19.10 |
| <b>110</b> | 2.00  | 11.20 | 12.50 | 13.70 | 14.80 | 15.84 | 17.70 | 19.40 | 21.00 |
| <b>125</b> | 2.10  | 12.60 | 14.20 | 15.60 | 16.90 | 17.82 | 20.00 | 21.82 | 24.00 |
| <b>130</b> | 2.15  | 13.40 | 14.80 | 16.20 | 17.50 | 18.95 | 21.00 | 23.21 | 25.00 |
| <b>140</b> | 2.20  | 14.20 | 16.00 | 17.50 | 18.90 | 20.08 | 23.00 | 24.60 | 27.00 |
| <b>150</b> | 2.30  | 15.28 | 17.10 | 18.70 | 20.00 | 21.61 | 24.00 | 26.47 | 29.00 |
| <b>175</b> | 2.55  | 17.70 |       |       |       | 25.03 |       | 30.66 |       |
| <b>200</b> | 2.80  | 20.40 | 23.00 | 25.00 | 27.00 | 28.85 | 32.00 | 35.33 | 38.00 |
| <b>250</b> | 3.00  | 25.50 | 28.00 | 31.00 | 34.00 | 36.06 | 40.00 | 44.17 | 48.00 |
| <b>300</b> | 3.30  | 30.00 | 34.00 | 37.00 | 40.00 | 42.43 | 48.00 | 51.96 | 57.00 |

## 5.4 CAPACITEITSTABEL NOZZLE'S VAN 80 TOT 225 BAR

| Maat | Bar → | 80    | 100   | 120   | 150   | 160   | 180   | 200   | 225    |
|------|-------|-------|-------|-------|-------|-------|-------|-------|--------|
| 20   | 0.90  | 4.04  | 4.52  | 4.95  | 5.53  | 5.71  | 6.06  | 6.40  | 6.70   |
| 25   | 1.00  | 5.04  | 5.63  | 6.17  | 6.90  | 7.13  | 7.56  | 8.00  | 8.50   |
| 30   | 1.10  | 6.12  | 6.84  | 7.50  | 8.38  | 8.65  | 9.18  | 9.65  | 10.20  |
| 35   | 1.15  | 7.00  | 7.83  | 8.57  | 9.59  | 9.90  | 10.50 | 11.00 | 11.70  |
| 40   | 1.20  | 8.20  | 9.17  | 10.04 | 11.23 | 11.60 | 12.30 | 12.90 | 14.80  |
| 45   | 1.30  | 9.24  | 10.33 | 11.32 | 12.65 | 13.07 | 13.86 | 14.50 | 15.00  |
| 50   | 1.35  | 10.32 | 11.54 | 12.64 | 14.13 | 14.59 | 15.48 | 16.10 | 16.90  |
| 55   | 1.40  | 11.24 | 12.57 | 13.77 | 15.39 | 15.90 | 16.86 | 17.70 | 18.60  |
| 60   | 1.45  | 12.32 | 13.77 | 15.09 | 16.87 | 17.42 | 18.48 | 19.30 | 20.40  |
| 65   | 1.50  | 13.28 | 14.85 | 16.26 | 18.18 | 18.78 | 19.92 | 21.00 | 22.00  |
| 70   | 1.55  | 14.24 | 15.92 | 17.44 | 19.50 | 20.14 | 21.36 | 23.00 | 23.70  |
| 75   | 1.60  | 15.20 | 16.99 | 18.62 | 20.81 | 21.50 | 22.80 | 24.00 | 25.30  |
| 80   | 1.70  | 16.24 | 18.16 | 19.89 | 22.24 | 22.97 | 24.36 | 26.00 | 27.00  |
| 85   | 1.75  | 17.80 | 19.90 | 21.80 | 24.37 | 25.17 | 26.70 | 27.00 | 28.60  |
| 90   | 1.80  | 18.24 | 20.39 | 22.34 | 24.98 | 25.80 | 27.36 | 29.00 | 30.30  |
| 100  | 1.90  | 20.24 | 22.63 | 24.79 | 27.71 | 28.62 | 30.36 | 32.00 | 33.70  |
| 110  | 2.00  | 22.40 | 25.04 | 27.43 | 30.67 | 31.68 | 33.60 | 35.00 | 36.80  |
| 125  | 2.10  | 25.20 | 28.17 | 30.86 | 34.51 | 35.64 | 37.80 | 40.00 |        |
| 130  | 2.15  | 26.80 | 29.96 | 32.82 | 36.70 | 37.90 | 40.20 | 42.00 | 43.60  |
| 140  | 2.20  | 28.40 | 31.75 | 34.78 | 38.89 | 40.16 | 42.60 | 45.00 | 46.90  |
| 150  | 2.30  | 30.56 | 34.17 | 37.43 | 41.85 | 43.22 | 45.84 | 48.00 | 50.60  |
| 175  | 2.55  | 35.40 | 39.58 | 43.36 | 48.47 | 50.06 | 53.10 |       |        |
| 200  | 2.80  | 40.80 | 45.62 | 49.97 | 55.87 | 57.70 | 61.20 | 64.00 | 67.50  |
| 250  | 3.00  | 51.00 | 57.02 | 62.46 | 69.83 | 72.12 | 76.50 | 81.00 |        |
| 300  | 3.30  | 60.00 | 67.08 | 73.48 | 82.16 | 84.85 | 90.00 | 97.00 | 101.00 |

## 5.5 CAPACITEITSTABEL NOZZLE'S VAN 250 TOT 500 BAR

| Maat | Bar → | 250    | 280   | 300    | 320   | 350   | 380   | 400    | 450    | 500    |
|------|-------|--------|-------|--------|-------|-------|-------|--------|--------|--------|
| 20   | 0.90  | 7.00   | 7.70  | 8.00   | 8.20  | 8.60  | 9.00  | 9.20   | 9.40   | 10.30  |
| 25   | 1.00  | 8.90   | 9.40  | 9.70   | 10.00 | 10.50 | 10.90 | 11.20  | 11.50  | 11.90  |
| 30   | 1.10  | 10.60  | 11.20 | 11.60  | 12.00 | 13.70 | 13.70 | 14.20  | 14.20  | 15.00  |
| 35   | 1.15  | 12.30  | 13.10 | 13.50  | 14.00 | 14.60 | 15.20 | 15.60  | 16.50  | 17.40  |
| 40   | 1.20  | 15.20  | 15.20 | 15.80  | 16.30 | 17.00 | 17.70 | 18.20  | 19.30  | 20.30  |
| 45   | 1.30  | 16.30  | 17.20 | 17.80  | 18.40 | 19.30 | 20.10 | 20.60  | 21.80  | 23.00  |
| 50   | 1.35  | 17.70  | 18.70 | 19.40  | 20.00 | 21.00 | 21.80 | 22.40  | 238.00 | 25.00  |
| 55   | 1.40  | 19.90  | 21.10 | 21.80  | 22.50 | 23.60 | 24.60 | 25.20  | 26.70  | 28.20  |
| 60   | 1.45  | 21.70  | 22.90 | 23.70  | 24.50 | 25.60 | 26.70 | 27.40  | 29.10  | 30.60  |
| 65   | 1.50  | 23.40  | 24.80 | 25.60  | 26.50 | 27.70 | 28.90 | 29.60  | 30.40  | 33.10  |
| 70   | 1.55  | 25.30  | 26.80 | 27.70  | 28.60 | 29.90 | 31.20 | 32.00  | 33.90  | 35.80  |
| 75   | 1.60  | 26.70  |       | 29.40  |       |       |       | 33.70  |        | 37.70  |
| 80   | 1.70  | 28.80  | 30.50 | 31.50  | 32.60 | 34.00 | 35.50 | 36.40  | 38.60  | 40.70  |
| 85   | 1.75  | 30.20  |       | 34.50  |       |       |       | 39.80  |        | 44.50  |
| 90   | 1.80  | 33.20  | 35.10 | 36.40  | 37.60 | 39.30 | 40.90 | 42.00  | 44.50  | 47.00  |
| 100  | 1.90  | 35.60  |       | 39.20  |       |       |       | 44.90  |        | 50.20  |
| 110  | 2.00  | 38.80  |       | 43.40  |       |       |       | 50.10  |        | 56.00  |
| 125  | 2.10  |        |       |        |       |       |       |        |        |        |
| 130  | 2.15  | 45.90  |       | 50.50  |       |       |       | 57.80  |        | 64.70  |
| 140  | 2.20  | 49.40  |       | 55.00  |       |       |       | 63.50  |        | 71.00  |
| 150  | 2.30  | 53.30  |       | 58.70  |       |       |       | 67.20  |        | 75.20  |
| 175  | 2.55  |        |       |        |       |       |       |        |        |        |
| 200  | 2.80  | 71.10  |       | 78.20  |       |       |       | 89.60  |        | 100.00 |
| 250  | 3.00  |        |       |        |       |       |       |        |        |        |
| 300  | 3.30  | 107.00 |       | 118.00 |       |       |       | 149.00 |        | 151.00 |