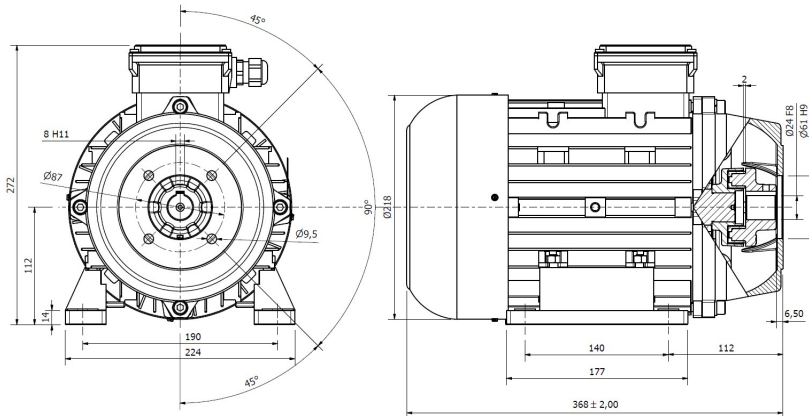


## PRODUCT DETAILS

### THREEPHASE ELECTRIC MOTOR 4,0 kW

# T41 124/0NR1A3MG

#### DIMENSIONS

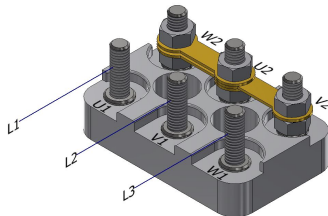


Insulation	: cl.F
Protection IP	: 55
Frame IEC	: 112
Service	: S1
Color	: RAL9005
Material	: Alluminium

#### DATA

Type	RN 112a4
Rated Power	4,0 kW
RPM	1430 g/m
Electrical supply	230/400V-50Hz
Efficiency	85%
Power factor	Cosφ 0,80
Current	(400V) 8,5 Amp
D.O.L. Current start.	(IS/IN) 7,0
Torque	27,0 Nm
Starting Torque	(Cs/Cn) 2,9
Max Torque	(Cm/Cn) 3,0
Moment of inertia	0,0011
Weight	30,30 Kgs

Three - phase connection  
Star connection



Three - phase connection  
Triangle connection

