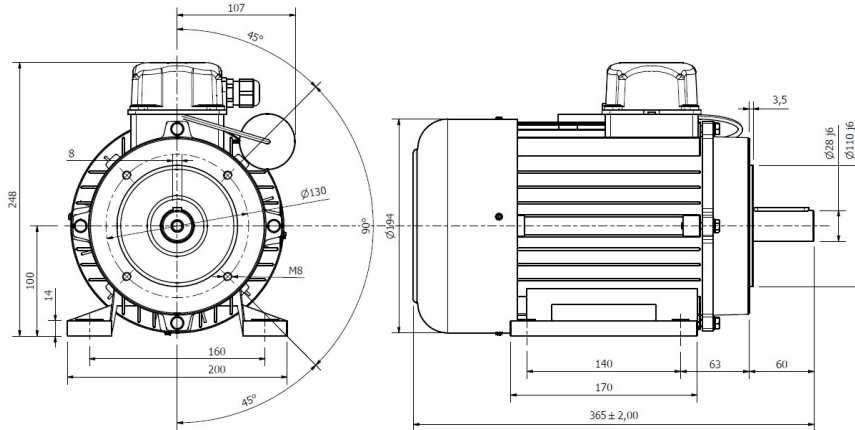


## PRODUCT DETAILS

### SINGLEPHASE ELECTRIC MOTOR 2,2 kW

# M41002/234BA2M0

#### DIMENSIONS



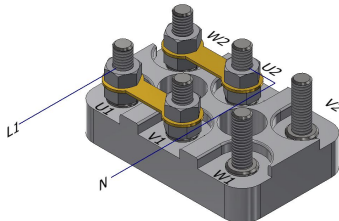
Insulation	: Cl.F
Protection IP	: 55
Frame IEC	: 100
Service	: S1
Color	: RAL9005
Material	: Alluminium

#### DATA

Type	RNM 100a4
Rated Power	2,2 kW
RPM	1430 g/m
Electrical supply	230V-50Hz
Efficiency	75,0%
Power factor	Cosφ 0,97
Current	(230V) 14,0 Amp
D.O.L. Current start.	(IS/IN) 2,9
Torque	14,7 Nm
Starting Torque	(Cs/Cn) 0,55
Capacitor	65 µF
Moment of inertia	0,0058
Weight	21,5 Kgs

450235

Single - phase connection  
Clockwise connection



Single - phase connection  
Anticlockwise connection

