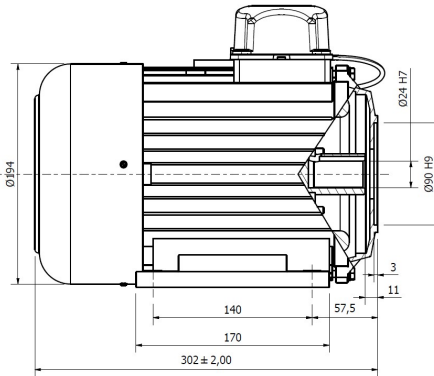
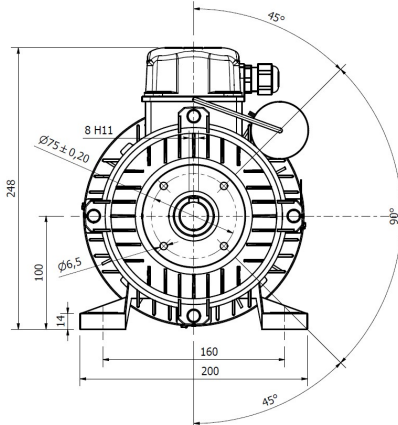


## PRODUCT DETAILS

### SINGLEPHASE ELECTRIC MOTOR 3,0 kW

# M41003/0IN2A2M0

#### DIMENSIONS



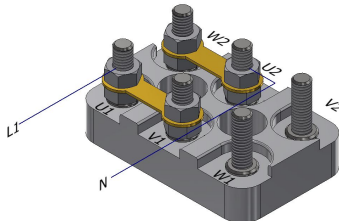
Insulation	: Cl.F
Protection IP	: 54
Frame IEC	: 100
Service	: S1
Color	: RAL9005
Material	: Alluminium

#### DATA

Type	RNM 100c4
Rated Power	3,0 kW
RPM	1410 g/m
Electrical supply	230V-50Hz
Efficiency	69,0%
Power factor	Cosφ 0,98
Current	(230V) 17,0 Amp
D.O.L. Current start.	(IS/IN) 2,7
Torque	19,5 Nm
Starting Torque	(Cs/Cn) 0,44
Capacitor	80 μF
Moment of inertia	0,0072
Weight	21,5 Kgs

450207

Single - phase connection  
Clockwise connection



Single - phase connection  
Anticlockwise connection

