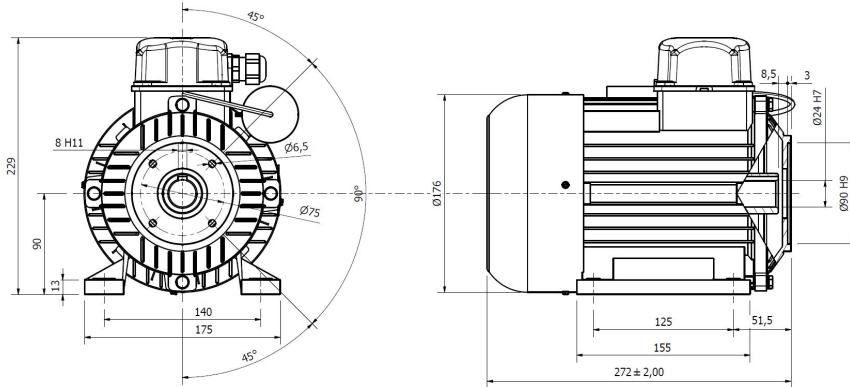


PRODUCT DETAILS

SINGLEPHASE ELECTRIC MOTOR 1,5 kW

M4091 1/5IN2A2M0

DIMENSIONS



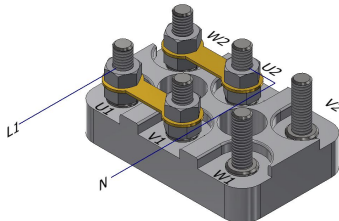
Insulation	: Cl.F
Protection IP	: 54
Frame IEC	: 90L
Service	: S1
Color	: RAL9005
Material	: Alluminium

DATA

Type	RNM 90La4
Rated Power	1,5 kW
RPM	1410 g/m
Electrical supply	230V-50Hz
Efficiency	75,0%
Power factor	Cosφ 0,98
Current	(230V) 10,5 Amp
D.O.L. Current start.	(IS/IN) 2,7
Torque	10,0 Nm
Starting Torque	(Cs/Cn) 0,66
Capacitor	55 µF
Moment of inertia	0,0035
Weight	14,00 Kgs

450200

Single - phase connection
Clockwise connection



Single - phase connection
Anticlockwise connection

