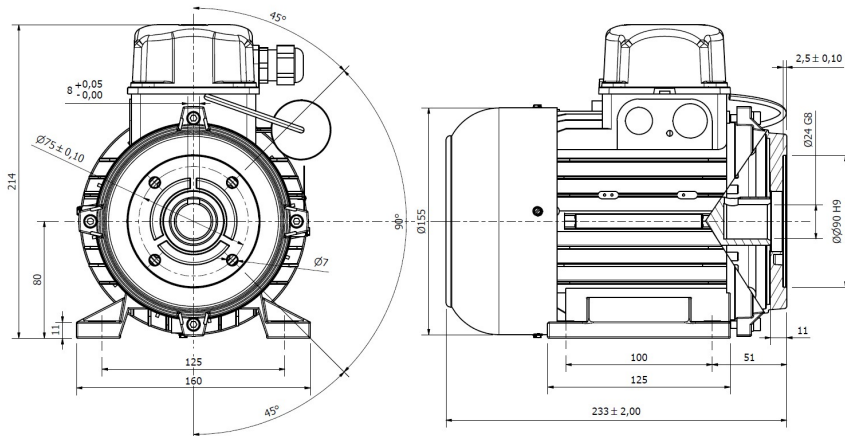


PRODUCT DETAILS

SINGLEPHASE ELECTRIC MOTOR 0,75 kW

M4080075IN2A2M0

DIMENSIONS



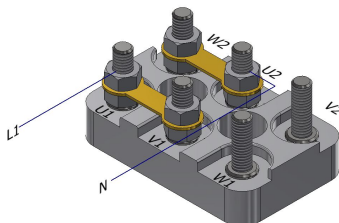
Insulation	: Cl.F
Protection IP	: 54
Frame IEC	: 80
Service	: S1
Color	: RAL9005
Material	: Alluminium

DATA

Type	RNM 80b4
Rated Power	0,75 kW
RPM	1420 g/m
Electrical supply	230V-50Hz
Efficiency	65,0%
Power factor	Cosφ 0,98
Current	(230V) 6,2 Amp
D.O.L. Current start.	(IS/IN) 2,6
Torque	5,0 Nm
Starting Torque	(Cs/Cn) 0,70
Capacitor	32 μF
Moment of inertia	0,0024
Weight	11,2 Kgs

450195

Single - phase connection
Clockwise connection



Single - phase connection
Anticlockwise connection

