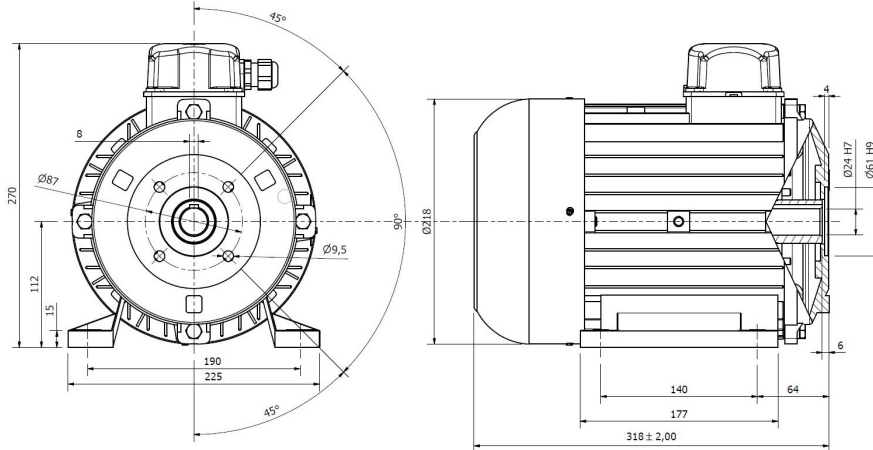


PRODUCT DETAILS

THREEPHASE ELECTRIC MOTOR 5,5 kW

T41 125/5IN1A2M0

DIMENSIONS

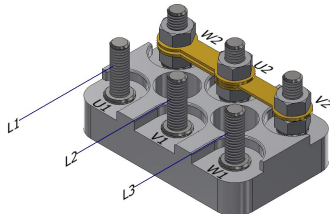


DATA

Type	RN 112b4
Rated Power	5,5 kW
RPM	1420 g/m
Electrical supply	230/400V-50Hz
Efficiency	80,4%
Power factor	cosφ 0,83
Current	(400V) 11,7Amp
D.O.L. Current start.	(IS/IN) 6,8
Torque	37,0 Nm
Starting Torque	(Cs/Cn) 2,3
Max Torque	(Cm/Cn) 2,4
Moment of inertia	0,0022
Weight	31,5 Kgs

Insulation	: cl.F
Protection IP	: 54
Frame IEC	: 112
Service	: S1
Color	: RAL9005
Material	: Alluminium

Three - phase connection
Star connection



Three - phase connection
Triangle connection

