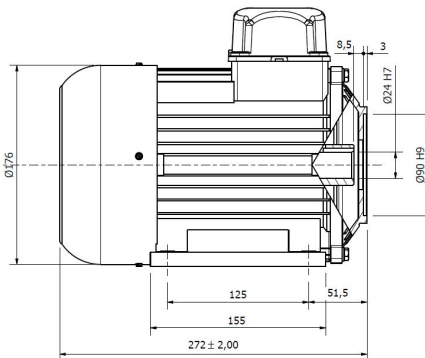
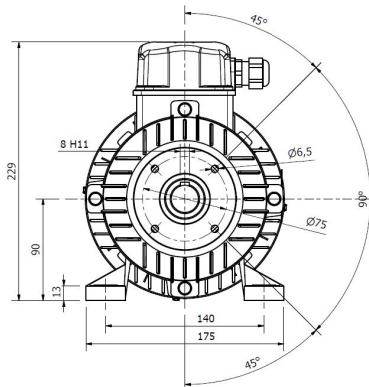


PRODUCT DETAILS

THREEPHASE ELECTRIC MOTOR 1,8 kW

T4091 1/8IN2A2M0

DIMENSIONS



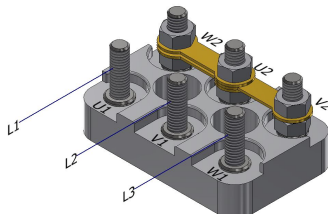
Insulation	: cl. F
Protection IP	: 54
Frame IEC	: 90L
Service	: S1
Color	: RAL9005
Material	: Alluminium

DATA

Type	RN 90Lb4
Rated Power	1,8 kW
RPM	1410 g/m
Electrical supply	230/400V-50Hz
Efficiency	79,7%
Power factor	Cosφ 0,78
Current	(400V) 4,3 Amp
D.O.L. Current start.	(IS/IN) 5,5
Torque	12,5 Nm
Starting Torque	(Cs/Cn) 2,3
Max Torque	(Cm/Cn) 2,8
Moment of inertia	0,0042
Weight	13,70 Kgs

ref.450002

Three - phase connection
Star connection



Three - phase connection
Triangle connection

