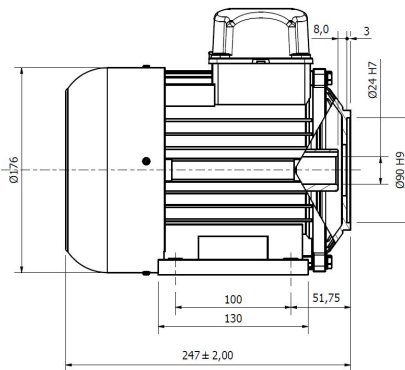
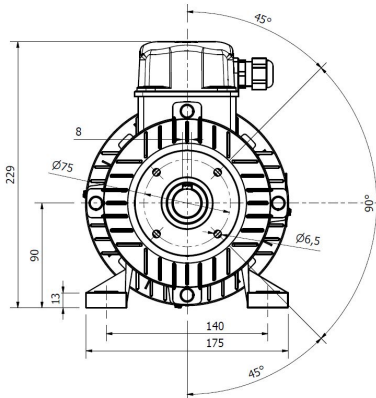


PRODUCT DETAILS

THREEPHASE ELECTRIC MOTOR 1,1 kW

T40901/1IN2A2M0

DIMENSIONS



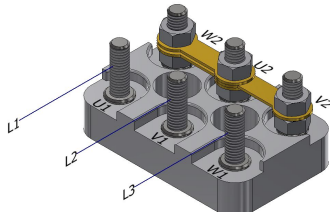
Insulation	: cl.F
Protection IP	: 54
Frame IEC	: 90S
Service	: S1
Color	: RAL9005
Material	: Alluminium

DATA

Type	RN 90Sa4
Rated Power	1,1 kW
RPM	1410 g/m
Electrical supply	230/400V-50Hz
Efficiency	77,3%
Power factor	cosφ 0,76
Current	(400V) 2,7 Amp
D.O.L. Current start.	(IS/IN) 5,0
Torque	7,5 Nm
Starting Torque	(Cs/Cn) 2,1
Max Torque	(Cm/Cn) 2,5
Moment of inertia	0,0028
Weight	12,30 Kgs

ref. 450001

Three - phase connection
Star connection



Three - phase connection
Triangle connection

