



66 series



Pump type Type de pompe Pumpentype Tipo de bomba Tipo di pompa	Flow rate Débit Förderleistung Caudal Portata		Max. pressure Pression Druck Presión Pressione			r.p.m. tr./min. u.p.m. r/min. g./min.	Power Puissance Leistung Potencia Potenza		Weight Poids Gewicht Peso Peso	Dimensions Dimensions Dimension Dimensiones Dimensioni
	l/min.	G.P.M. (U.S.A.)	bar	MPa	p.s.i.		kW	hp		
W3021 (*)	21	5.55	300	30	4350	1450	11,8	16	18,5	341x249x160
W2525 (*)	25	6.6	250	25	3625		13,23	18		
W3025 (*)	25	6.6	300	30	4350		14,7	20		
W2030 (*)	30	7.92	200	20	2900		11,02	15		
W2035	35	9.25	200	20	2900		13,23	18		
W2141	41	10.83	210	21	3045		16,17	22		
W1550 (*)	50	13.21	150	15	2180		14,7	20		
T3025 (*)	25	6.6	300	30	4350	1750	14,70	20	18,5	341x249x160
T2530 (*)	30	7.92	250	25	3625		14,70	20		
T2830 (*)	30	7.92	275	27,5	4000		15,50	21		
T2535	35	9.25	250	25	3625		16,17	22		
T2040	40	10.56	200	20	2900		15,44	21		
T1750	50	13.20	172	17,2	2500		16,17	22		

(*) Available on request in version with double-sided shaft / Disponible sur requête en version avec arbre à double sortie
 Auf Wunsch lieferbar in Version mit Doppelwellenausgang / Disponible bajo pedido en versión con doble salida de eje
 Disponibile su richiesta in versione con albero a doppia presa di forza

I
GB
F
D
E
P

ISTRUZIONI D'USO
INSTRUCTIONS FOR USE
MODE D'EMPLOI
BEDIENUNGSANLEITUNG
INSTRUCCIONES DE USO
INSTRUÇÕES DE USO




Questo manuale deve essere letto e compreso in accordo al libretto generico "Istruzioni d'uso e manutenzione".
This manual must be read and followed in accordance with the generic "Instructions for Use and Maintenance" booklet.

Ce manuel doit être lu et compris en accord avec la notice générale " Mode d'emploi et d'entretien ".

Dieses Handbuch ist in Verbindung mit dem allgemeinen Handbuch " Gebrauchs- und Wartungsanleitung" zu lesen und zu verstehen.

Este manual debe leerse y comprenderse de acuerdo con el manual general "Instrucciones de uso y mantenimiento"

Este manual deve ser lido e interpretado de acordo com o livro genérico "Instruções de uso e manutenção"

Type Type Type Tipo Tipo	Flow rate Débit Förderstrom Caudal Portata		Pressure Pressione Druck Presion Pressione			rpm t/m upm r/m g/m	Power Puissance Leistung Potencia Potenza		Weight Poids Gewicht Peso Massa		
	L/min	gpm	bar	MPa	psi		Hp	kW	Kg	Ibs	
W4015 (*)	15	3.96	400	40	5800	1450	15	11.02	19.5	42,9	1.0
W5015 (*)	15	3.96	500	50	7250	1450	20	14.70	19.5	42,9	1.0
W4018	18	4.75	400	40	5800	1450	20	14.70	19.5	42,9	1.0
W4518	18	4.75	450	45	6525	1450	21	15.44	19.5	42,9	1.0
W5018	18	4.75	500	50	7250	1450	24	17.40	19.5	42,9	1.0
W3021 (*)	21	5.54	300	30	4350	1450	16	11.76	18.5	40,7	1.0
W3521 (*)	21	5.55	350	35	5075	1450	20	14.70	19.5	42,9	1.0
W3523	23	6.07	350	35	5075	1450	20	14.70	19.5	42,9	1.0
W2525 (*)	25	6.60	250	25	3600	1450	18	13.23	18.5	40,7	1.0
W3025 (*)	25	6.60	300	30	4350	1450	20	14.70	18.5	40,7	1.0
W2030 (*)	30	7.92	200	20	2900	1450	15	11.02	18.5	40,7	1.0
W2035	35	9.25	200	20	2900	1450	18	13.23	18.5	40,7	1.0
W2141	41	10.83	210	21	3045	1450	22	16.17	18.5	40,7	1.0
W1550 (*)	50	13.20	150	15	2175	1450	20	14.70	18.5	40,7	1.0
T4018	18	4.75	400	40	5800	1750	20	14.70	19.5	42,9	1.0
T2530 (*)	30	7.92	250	25	3600	1750	20	14.70	18.5	40,7	1.0
T2830 (*)	30	7.92	275	27.5	4000	1750	21	15.44	18.5	40,7	1.0
T2535	35	9.25	250	25	3600	1750	22	16.17	18.5	40,7	1.0
T3025 (*)	35	6.60	300	30	4350	1750	20	14.70	18.5	40,7	1.0
T2040	40	10.56	200	20	2900	1750	21	15.44	18.5	40,7	1.0
T1750	50	13.20	172	17.2	2500	1750	22	16.17	18.5	40,7	1.0

(*) - DISPONIBILE ANCHE CON DOPPIA PRESA DI FORZA

(*) - AVAILABLE ALSO WITH DOUBLE POWER TAKE OFF

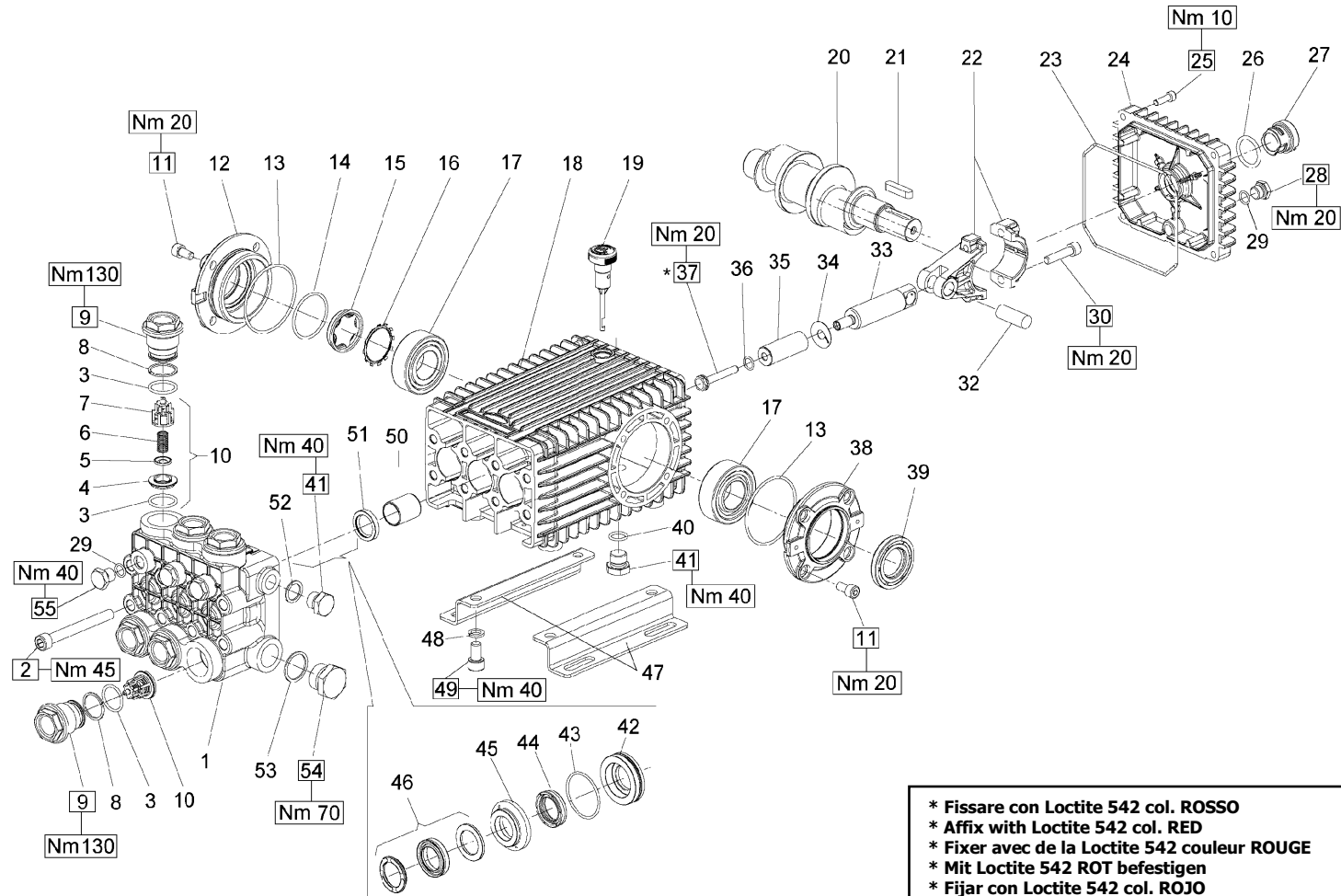
(*) - DISPONIBLE MÊME AVEC DOUBLE PRISE DE FORCE

(*) - VORHANDEN AUCH MIT DEM DOPPELTEN GENOMMEN VON DER KRAFT

(*) - DISPONIBLE TAMBIÉN CON EL DOBLE TOMADO DE FUERZA

(*) - DISPONÍVEL TAMBÉM COM O DOBRO FEITO EXAME DA FORÇA





- * Fissare con Loctite 542 col. ROSSO
- * Affix with Loctite 542 col. RED
- * Fixer avec de la Loctite 542 couleur ROUGE
- * Mit Loctite 542 ROT befestigen
- * Fijar con Loctite 542 col. ROJO
- * Fixar com Loctite 542 cor. VERMELHA



**W3021 – W2525 – W3025 – W2030 – W2035 – W2141
T3025 – T2530 – T2830 – T2535 – T2040 – T1750**

KIT RICAMBI – SPARE KITS

KIT Nr.	KIT 2	KIT 3	KIT 169	PISTONE - PISTON Ø18		PISTONE - PISTON Ø20		PISTONE - PISTON Ø22		PISTONE - PISTON Ø24	
				KIT 180	KIT 176	KIT 170	KIT 171	KIT 172	KIT 173	KIT 181	KIT 182
Posizioni include Positions included	51	39	3 - 4 4 - 5 6 (10)	44 - 46	42 - 43 44 - 45 46	44 - 46	42 - 43 44 - 45 46	44 - 46	42 - 43 44 - 45 46	44 - 46	42 - 43 44 - 45 46
Nr. Pcs.	3	2	6	3	1	3	1	3	1	3	1

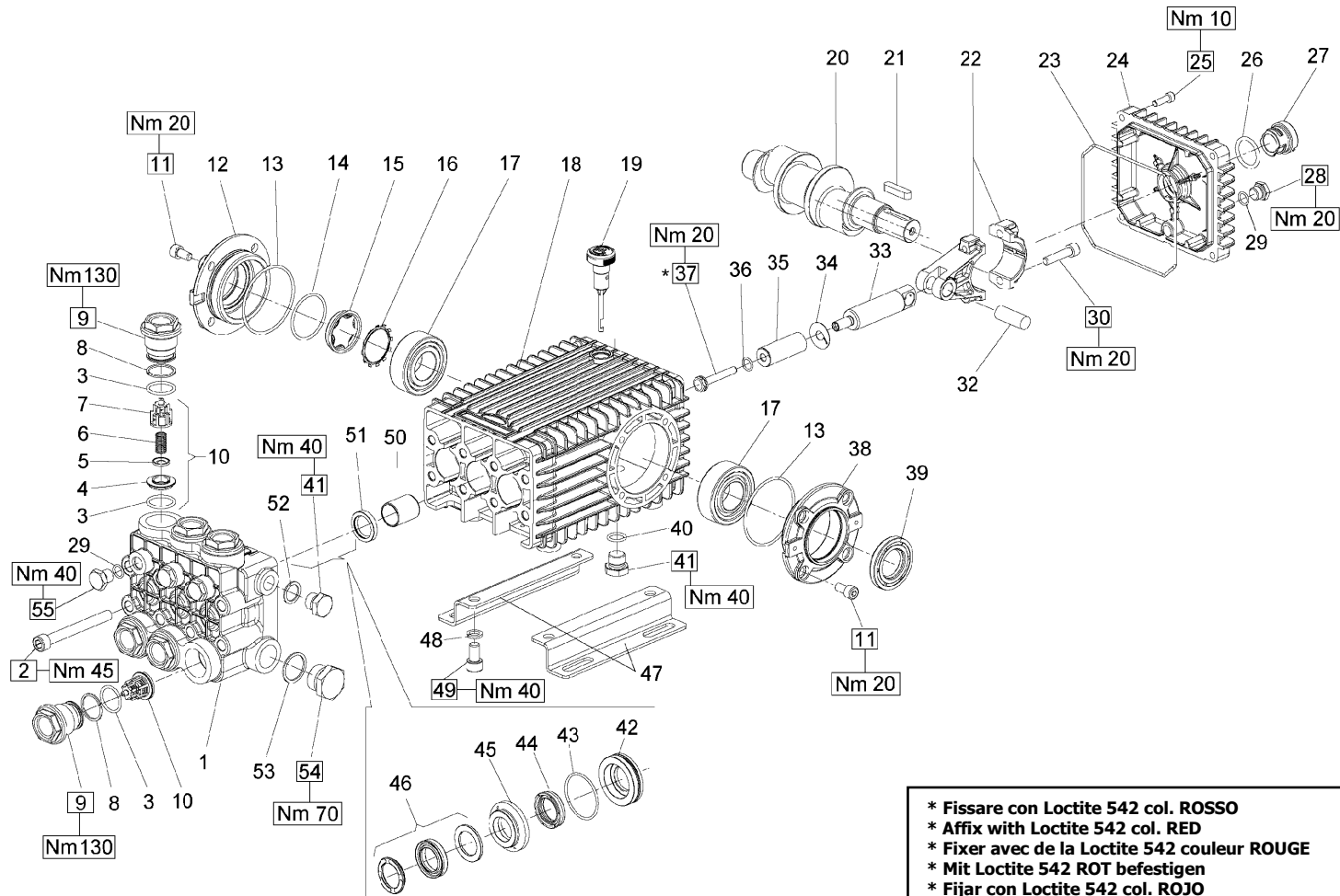
PISTONE - PISTON Ø 18	PISTONE - PISTON Ø 20
W3021 - T3025	W2525 – W3025 T2530 – T2535 - T2830
PISTONE - PISTON Ø 22	PISTONE - PISTON Ø 24
W2030 – W2035 - T2040	W2141 - T1750

DISTINTA – SPARE PARTS

POS	COD.	DESCRIZIONE – DESCRIPTION - KIT	NR
1	66.1245.41	Testata Ø 18	1
	66.1200.41	Testata Ø 20	1
	66.1201.41	Testata Ø 22	1
	66.1202.41	Testata Ø 24	1
2	99.3801.00	Vite M10x90 UNI 5931	8
3	90.3857.00	OR Ø 23.81x2.62 (132)	169
4	36.2033.66	Sede valvola sferica	169
5	36.2034.76	Valvola	169
6	94.7388.00	Molla Ø 10x18.5	169
7	36.2035.51	Guida valvola	169
8	90.5165.00	Anello antiest. Ø 24.7x29x1.5	6
9	66.1300.41	Tappo M32x1.5x29.5	6
10	36.7127.01	Gruppo valvola aspiraz. / mand.	169
11	99.3039.00	Vite M8x16 UNI 5931	8
12	47.1512.22	Coperchio cuscinetto lato spia	1
13	90.3913.00	OR Ø 67.95x2.62 (3268)	2
14	90.3877.00	OR Ø 39.34x2.62 (3156)	1
15	70.2118.01	Spia livello olio	1
16	90.0756.00	Anello seeger Ø 45	1
17	91.8380.00	Cuscinetto a rulli NJ 2206 EC	2

POS	COD.	DESCRIZIONE – DESCRIPTION - KIT	NR
18	66.0100.22	Carter pompa	1
19	98.2106.00	Tappo carico olio G 3/8"	1
20	66.0200.35	Albero – W2525-W2030-W3021-W3025 T2530-T3025-T2830	1
	66.0204.35	Albero – W2035-W2141-T2535-T2040-T1750	1
21	91.4892.00	Linguetta 9x7x35 UNI 6604	1
22	66.0300.01	Biella completa	3
23	90.3922.00	OR Ø 133.02x2.62 (3525)	1
24	66.1600.22	Coperchio posteriore	1
25	99.1884.00	Vite M6x20 UNI 5931	4
26	90.4051.00	OR Ø 26.58x3.53 (4106)	1
27	63.2100.51	Spia livello olio	1
28	98.2041.00	Tappo G 1/4"x9	1
29	90.3585.00	OR Ø 10.82x1.78 (2043)	4
30	99.3099.00	Vite M8x35 UNI 5931	6
32	97.7405.00	Spinotto Ø 14x39	3
33	66.0500.66	Guida pistone	3
34	96.7101.00	Rosetta Ø 10x28x0.5	3
35	66.0403.09	Pistone Ø 18x54	3
	66.0400.09	Pistone Ø 20x54	3
	66.0401.09	Pistone Ø 22x54	3
	66.0404.09	Pistone Ø 24x54	3
36	90.3584.00	OR Ø 10.82x1.78 (2043) - 90 Sh.	3
37	66.2195.66	Vite fissaggio pistone	3
38	47.1510.22	Coperchio cuscinetto aperto	1
39	90.1648.00	Anello rad. Ø 30x55x7	3

POS	COD.	DESCRIZIONE – DESCRIPTION - KIT	NR
40	90.3833.00	OR Ø 13.95x2.62 (3056)	1
41	98.2100.00	Tappo G 3/8"x13	2
42	66.0803.70	Anello di fondo Ø 18	176
	66.0800.70	Anello di fondo Ø 20	171
	66.0801.70	Anello di fondo Ø 22	173
	66.0804.70	Anello di fondo Ø 24	182
43	90.3616.00	OR Ø34.65x1.78 (2137)171-173-176-182	3
44	90.2652.00	Anello tenuta Ø18x26x6.5 LP	180-176
	90.2690.00	Anello tenuta Ø20x28x6.5 LP	170-171
	90.2715.00	Anello tenuta Ø22x30x6.5 LP	172-173
	90.2738.00	Anello tenuta Ø24x32x6.5 LP	181-182
45	66.2163.70	Anello intermedio Ø 18	176
	66.2160.70	Anello intermedio Ø 20	171
	66.2161.70	Anello intermedio Ø 22	173
	66.2164.70	Anello intermedio Ø 24	182
46	90.2655.00	Anello tenuta Ø18x28x10 HP	180-176
	90.2692.00	Anello tenuta Ø20x30x10 HP	170-171
	90.2717.00	Anello tenuta Ø22x32x10 HP	172-173
	90.2741.00	Anello tenuta Ø24x34x10 HP	181-182
47	47.2000.74	Piedino fissaggio pompa	2
48	96.7106.00	Rosetta Ø 10.2 DIN 7980	4
49	99.3644.00	Vite M10x18 UNI 5931	4
50	90.9126.00	Boccola Ø 22x25x30	3
51	90.1625.00	Anello rad. Ø 22x32x5.5	2
52	96.7380.00	Rosetta Ø 17.5x23x1.5	1
53	96.7700.00	Rosetta Ø 26.5x32x1.5	1
54	98.2268.00	Tappo G 3/4"x16	1
55	98.2043.00	Tappo G 1/4"x13	3



- * Fissare con Loctite 542 col. ROSSO
- * Affix with Loctite 542 col. RED
- * Fixer avec de la Loctite 542 couleur ROUGE
- * Mit Loctite 542 ROT befestigen
- * Fijar con Loctite 542 col. ROJO
- * Fixar com Loctite 542 cor. VERMELHA

**W1550****KIT RICAMBI – SPARE KITS****PISTONE - PISTON
Ø28**

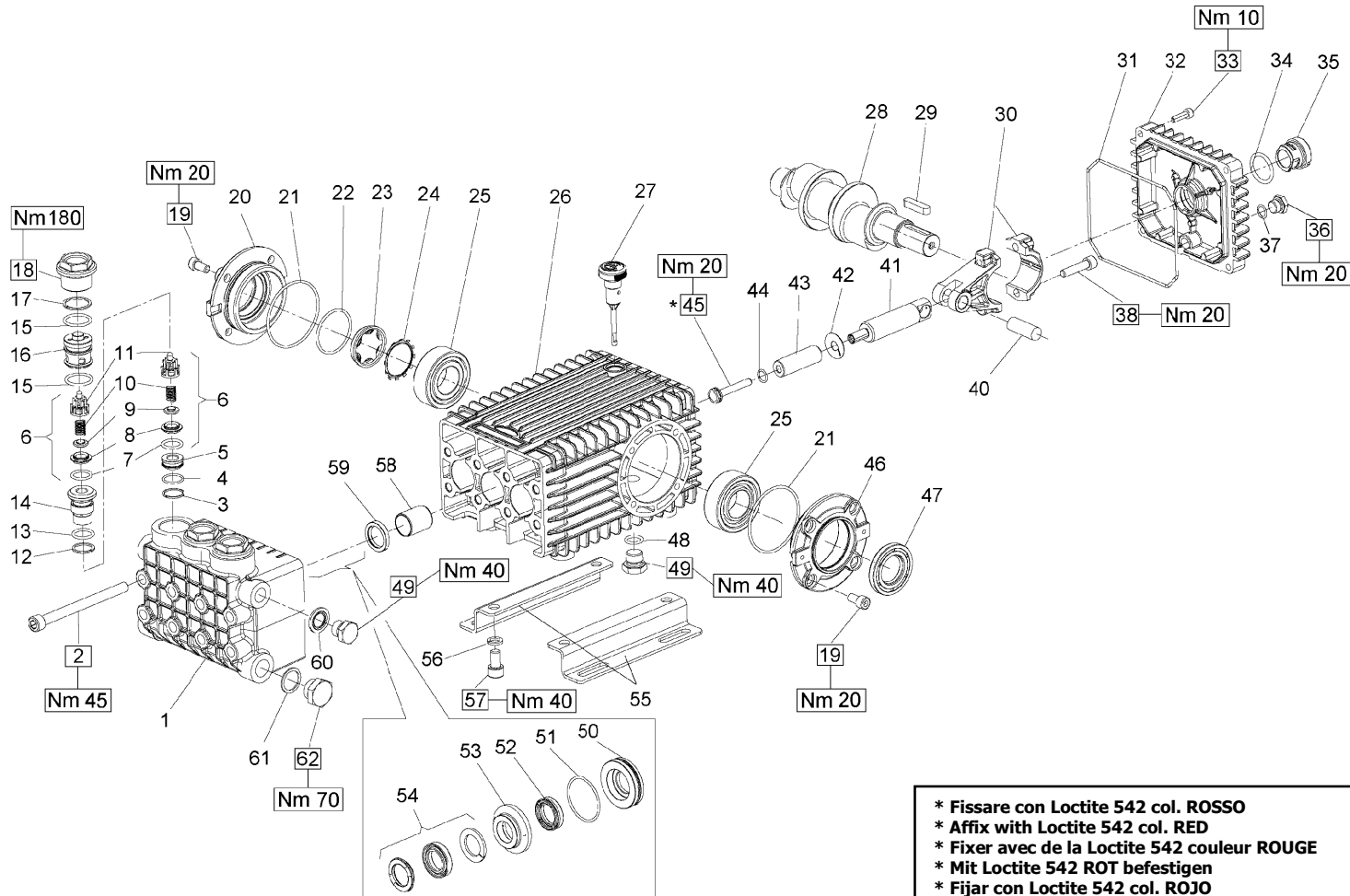
KIT Nr.	KIT 2	KIT 3	KIT 169	KIT 248	KIT 247
Posizioni include Positions included	51	39	3 – 4 5 – 6 7 (10)	44 – 46	42 – 43 44 – 45 46
Nr. Pcs.	3	2	6	3	1

DISTINTA – SPARE PARTS

POS	COD.	DESCRIZIONE – DESCRIPTION - KIT	NR
1	66.1246.41	Testata Ø 28	1
2	99.3801.00	Vite M10x90 UNI 5931	8
3	90.3857.00	OR Ø 23.81x2.62 (132)	169 12
4	36.2033.66	Sede valvola	169 6
5	36.2034.76	Valvola sferica	169 6
6	94.7388.00	Molla Ø 10x18.5	169 6
7	36.2035.51	Guida valvola	169 6
8	90.5165.00	Anello antiest. Ø 24.7x29x1.5	6
9	66.1300.41	Tappo M32x1.5x29.5	6
10	36.7127.01	Gruppo valvola aspiraz. / mand.	169 6
11	99.3039.00	Vite M8x16 UNI 5931	8
12	47.1512.22	Coperchio cuscinetto lato spia	1
13	90.3913.00	OR Ø 67.95x2.62 (3268)	2
14	90.3877.00	OR Ø 39.34x2.62 (3156)	1
15	70.2118.01	Spia livello olio	1
16	90.0756.00	Anello seeger Ø 45	1
17	91.8380.00	Cuscinetto a rulli NJ 2206 EC	2
18	66.0100.22	Carter pompa	1
19	98.2106.00	Tappo carico olio G 3/8"	1
20	66.0200.35	Albero	1
21	91.4892.00	Linguetta 9x7x35 UNI 6604	1
22	66.0300.01	Biella completa	3

POS	COD.	DESCRIZIONE – DESCRIPTION - KIT	NR
23	90.3922.00	OR Ø 133.02x2.62 (3525)	1
24	66.1600.22	Coperchio posteriore	1
25	99.1884.00	Vite M6x20 UNI 5931	4
26	90.4051.00	OR Ø 26.58x3.53 (4106)	1
27	63.2100.51	Spia livello olio	1
28	98.2041.00	Tappo G 1/4"x9	1
29	90.3585.00	OR Ø 10.82x1.78 (2043)	4
30	99.3099.00	Vite M8x35 UNI 5931	6
32	97.7405.00	Spinotto Ø 14x39	3
33	66.0500.66	Guida pistone	3
34	96.7101.00	Rosetta Ø 10x28x0.5	3
35	66.0410.09	Pistone Ø 28x54	3
36	90.3584.00	OR Ø 10.82x1.78 (2043) - 90 Sh.	3
37	66.2195.66	Vite fissaggio pistone	3
38	47.1510.22	Coperchio cuscinetto aperto	1
39	90.1648.00	Anello rad. Ø 30x55x7	3 1
40	90.3833.00	OR Ø 13.95x2.62 (3056)	1
41	98.2100.00	Tappo G 3/8"x13	2
42	66.0825.70	Anello di fondo Ø 28	247 3
43	90.3620.00	OR Ø 37.82x1.78 (2150)	247 3
44	90.2753.00	Anello tenuta Ø28x36x6.5 LP	247-248 3
45	66.2200.70	Anello intermedio Ø 28	247 3

POS	COD.	DESCRIZIONE – DESCRIPTION - KIT	NR
46	90.2754.00	Anello tenuta Ø28x38x10 HP	247-248 3
47	47.2000.74	Piedino fissaggio pompa	2
48	96.7106.00	Rosetta Ø 10.2 DIN 7980	4
49	99.3644.00	Vite M10x18 UNI 5931	4
50	90.9126.00	Boccola Ø 22x25x30	3
51	90.1625.00	Anello rad. Ø 22x32x5.5	2 3
52	96.7380.00	Rosetta Ø 17.5x23x1.5	1
53	96.7700.00	Rosetta Ø 26.5x32x1.5	1
54	98.2268.00	Tappo G 3/4"x16	1
55	98.2043.00	Tappo G 1/4"x13	3



- * Fissare con Loctite 542 col. ROSSO
- * Affix with Loctite 542 col. RED
- * Fixer avec de la Loctite 542 couleur ROUGE
- * Mit Loctite 542 ROT befestigen
- * Fijar con Loctite 542 col. ROJO
- * Fixar com Loctite 542 cor. VERMELHA



**W5015 – W4518 – W4015 – W4018 – W3521
W3523 - T4018 – W5018**

	PISTONE – PISTON Ø16	PISTONE – PISTON Ø18
OTTONE BRASS	W5015 – W4518 W4015 – W4018 T4018	W3521 – W3523
NICKEL	W5018	

DISTINTA – SPARE PARTS

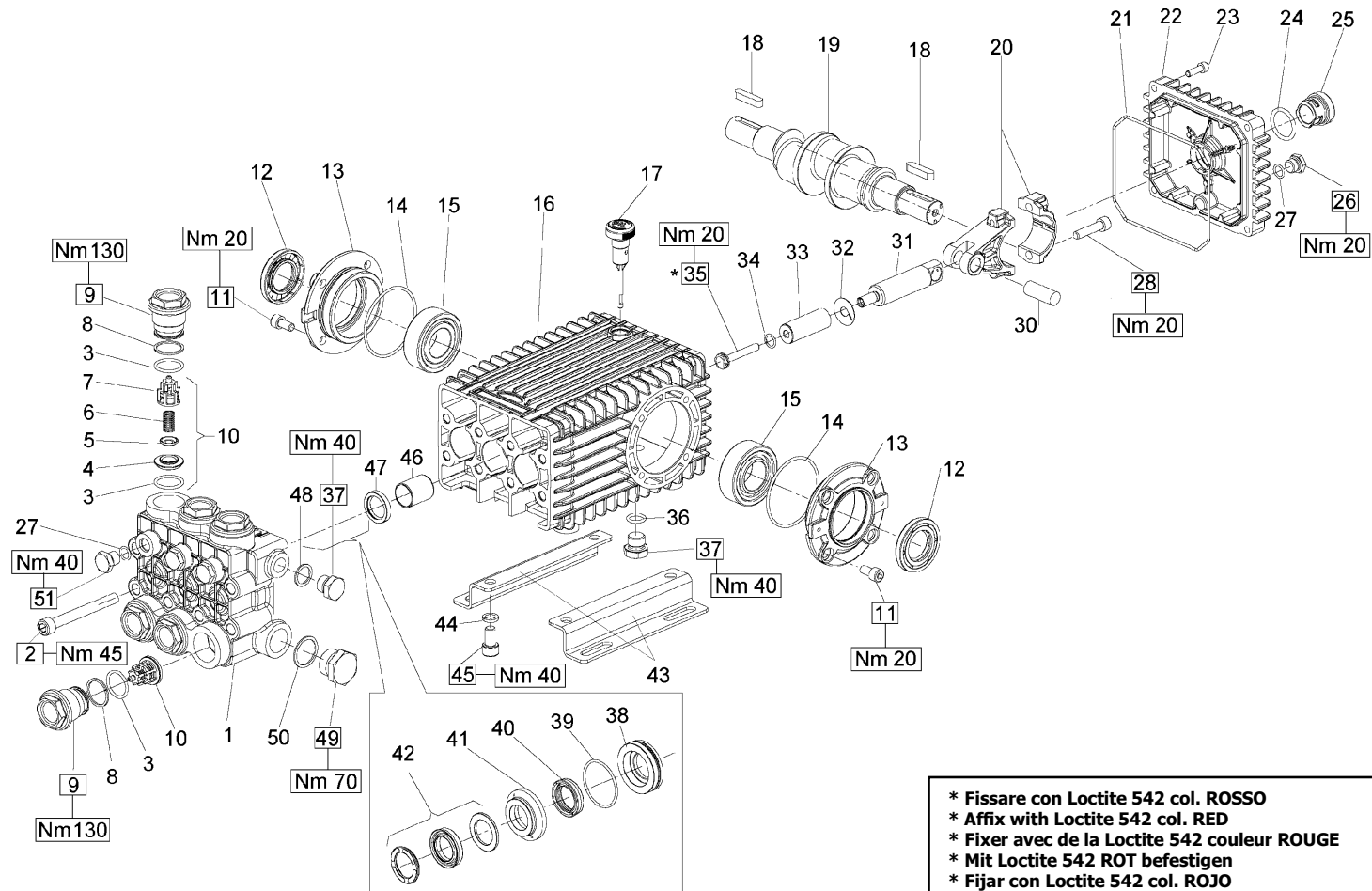
POS	COD.	DESCRIZIONE – DESCRIPTION - KIT	NR
1	66.1210.41	Testata Ø 16	1
	66.1211.41	Testata Ø 18	1
	66.1240.41	Testata Ø 16 – W5015 – W4518	1
	66.1247.41	Testata Ø 16 – NICKEL	1
2	99.3820.00	Vite M10x120 UNI 5931	8
3	90.5118.00	Anello antiestr. Ø 19.5x22x1.5	3
4	90.3596.00	OR Ø 18.77x1.78 (2075)	3
5	66.2102.70	Distanziale	3
6	36.7121.01	Gruppo valvola aspiraz. / mand.	150 6
7	90.3841.00	OR Ø 17.13x2.62 (3068)	150 6
8	36.2003.66	Sede valvola	150 6
9	36.2032.66	Valvola sferica	150 6
10	94.7376.00	Molla Ø 9.4x14.8	150 6
11	36.2025.51	Guida valvola	150 6
12	90.5115.00	Anello antiestr. Ø 18.7x23x1.5	3
13	90.3843.00	OR Ø 17.86x2.62 (123)	3
14	66.2101.66	Bussola	3
15	90.3857.00	OR Ø 23.81x2.62 (132)	6
16	66.2100.70	Tappo Ø 29	3
17	90.5165.00	Anello antiestr. Ø 24.7x29x1.5	3
18	66.1301.41	Tappo valvole M32x1.5x18.5	3
	66.1310.41	Tappo valvole M32x1.5x18.5 - NICKEL	3

KIT RICAMBI – SPARE KITS

KIT Nr.	KIT 2	KIT 3	KIT 150	PISTONE - PISTON Ø16		PISTONE - PISTON Ø18	
				KIT 174	KIT 175	KIT 180	KIT 176
Posizioni include Positions included	59	47	6 – 7 8 – 9 10 (11)	52 - 54	50 – 51 52 – 53 54	52 - 54	50 – 51 52 – 53 54
Nr. Pcs.	3	2	6	3	1	3	1

POS	COD.	DESCRIZIONE – DESCRIPTION - KIT	NR
19	99.3039.00	Vite M8x16 UNI 5931	8
20	47.1512.22	Coperchio cuscinetto lato spia	1
21	90.3913.00	OR Ø 67.95x2.62 (3268)	2
22	90.3877.00	OR Ø 39.34x2.62 (3156)	1
23	70.2118.01	Spia livello olio	1
24	90.0756.00	Anello seeger Ø 45	1
25	91.8380.00	Cuscinetto a rulli NJ 2206 EC	2
26	66.0100.22	Carter pompa	1
27	98.2106.00	Tappo carico olio	1
28	66.0200.35	Albero – W5015 – W4015 – W3521 – T4018	1
	66.0204.35	Albero – W4518 – W4018 – W3523 – W5018	1
29	91.4892.00	Linguetta 9x7x35 UNI 6604	1
30	66.0300.01	Biella completa	3
31	90.3922.00	OR Ø 133.02x2.62 (3525)	1
32	66.1600.22	Coperchio posteriore	1
33	99.1884.00	Vite M6x20 UNI 5931	4
34	90.4051.00	OR Ø 26.58x3.53 (4106)	1
35	63.2100.51	Spia livello olio	1
36	98.2041.00	Tappo G 1/4"×9	1
37	90.3585.00	OR Ø 10.82x1.78 (2043)	1
38	99.3099.00	Vite M8x35 UNI 5931	6
40	97.7405.00	Spinotto Ø 14x39	3
41	66.0500.66	Guida pistone	3

POS	COD.	DESCRIZIONE – DESCRIPTION - KIT	NR
42	96.7101.00	Rosetta Ø 10x28x0.5	3
43	66.0402.09 66.0403.09	Pistone Ø 16x54	3
		Pistone Ø 18x54	3
44	90.3584.00	OR Ø 10.82x1.78 (2043) – 90 Sh.	3
45	66.2195.66	Vite fissaggio pistone	3
46	47.1510.22	Coperchio cuscinetto aperto	1
47	90.1648.00	Anello rad. Ø 30x56x7	3 1
48	90.3833.00	OR Ø 13.95x2.62 (3056)	1
49	98.2100.00	Tappo G 3/8"×13	2
50	66.0802.70 66.0803.70	Anello di fondo Ø 16	175 3
		Anello di fondo Ø 18	176 3
51	90.3616.00	OR Ø 34.65x1.78 (2137)	175-176 3
52	90.2631.00 90.2652.00	Anello tenuta Ø 16x24x6.5 LP	174-175 3
		Anello tenuta Ø 18x26x6.5 LP	180-176 3
53	66.2162.70 66.2163.70	Anello intermedio Ø 16	175 3
		Anello intermedio Ø 18	176 3
54	90.2634.00 90.2655.00	Anello tenuta Ø 16x26x9.5 HP	174-175 3
		Anello tenuta Ø 18x28x10 HP	180-176 3
55	47.2000.74	Piedino fissaggio pompa	2
56	96.7106.00	Rosetta Ø 10.2 DIN 7980	4
57	99.3644.00	Vite M10x18 UNI 5931	4
58	90.9126.00	Boccola Ø 22x25x30	3
59	90.1625.00	Anello rad. Ø 22x32x5.5	2 3
60	93.1858.00	Rondella di tenuta G 3/8" Ø 15x27x2	1
61	96.7514.00	Rosetta Ø 21.5x27x1.5	1
62	98.2176.00	Tappo G 1/2"×10	1



DIS. COD. 66.9515.00

- * Fissare con Loctite 542 col. ROSSO
- * Affix with Loctite 542 col. RED
- * Fixer avec de la Loctite 542 couleur ROUGE
- * Mit Loctite 542 ROT befestigen
- * Fijar con Loctite 542 col. ROJO
- * Fixar com Loctite 542 cor. VERMELHA



**W3021 – W2525 – W3025 – W2030
W1550 - T3025 – T2530 – T2830**

PISTONE - PISTON Ø 18	PISTONE - PISTON Ø 20
W3021 T3025	W2525 – W3025 T2530 - T2830
PISTONE - PISTON Ø 22	PISTONE - PISTON Ø 28
W2030	W1550

DISTINTA – SPARE PARTS

POS	COD.	DESCRIZIONE – DESCRIPTION - KIT	NR
1	66.1245.41	Testata Ø 18	1
	66.1200.41	Testata Ø 20	1
	66.1201.41	Testata Ø 22	1
	66.1246.41	Testata Ø 28	1
	99.3801.00	Vite M10x90 UNI 5931	8
3	90.3857.00	OR Ø 23.81x2.62 (132)	169 12
4	36.2033.66	Sede valvola sferica	169 6
5	36.2034.76	Valvola sferica	169 6
6	94.7388.00	Molla Ø 10x18.5	169 6
7	36.2035.51	Guida valvola	169 6
8	90.5165.00	Anello antiest. Ø 24.7x19x1.5	6
9	66.1300.41	Tappo M32x1.5x29.5	6
10	36.7127.01	Gruppo valvola aspiraz. / mand.	169 6
11	99.3039.00	Vite M8x16 UNI 5931	8
12	90.1648.00	Anello rad. Ø 30x55x7	3 2
13	47.1510.22	Coperchio cuscinetto aperto	2
14	90.3913.00	OR Ø 67.95x2.62 (3268)	2
15	91.8380.00	Cuscinetto a rulli NJ 2206 EC	2
16	66.0100.22	Carter pompa	1
17	98.2106.00	Tappo carico olio G 3/8"	1

KIT RICAMBI – SPARE KITS

KIT Nr.	KIT 2	KIT 3	KIT 169	PISTONE - PISTON Ø18		PISTONE - PISTON Ø20		PISTONE - PISTON Ø22		PISTONE - PISTON Ø28	
				KIT 180	KIT 176	KIT 170	KIT 171	KIT 172	KIT 173	KIT 248	KIT 247
Posizioni include Positions included	47	12	3 - 4 5 - 6 7 (10)	40 - 42	38 - 39 40 - 41 42	40 - 42	38 - 39 40 - 41 42	40 - 42	38 - 39 40 - 41 42	40 - 42	38 - 39 40 - 41 42
Nr. Pcs.	3	2	6	3	1	3	1	3	1	3	1

POS	COD.	DESCRIZIONE – DESCRIPTION - KIT	NR
18	91.4892.00	Linguetta 9x7x35 UNI 6604	2
19	66.0210.35	Albero - D.PTO	1
20	66.0300.01	Biella completa	3
21	90.3922.00	OR Ø 133.02x2.62 (3525)	1
22	66.1600.22	Coperchio posteriore	1
23	99.1884.00	Vite M6x20 UNI 5931	4
24	90.4051.00	OR Ø 26.58x3.53 (4106)	1
25	63.2100.51	Spia livello olio	1
26	98.2041.00	Tappo G 1/4"x9	1
27	90.3585.00	OR Ø 10.82x1.78 (2043)	1
28	99.3099.00	Vite M8x35 UNI 5931	6
30	97.7405.00	Spinotto Ø 14x39	3
31	66.0500.66	Guida pistone	3
32	96.7101.00	Rosetta Ø 10x28x0.5	3
33	66.0403.09	Pistone Ø 18x54	3
	66.0400.09	Pistone Ø 20x54	3
	66.0401.09	Pistone Ø 22x54	3
	66.0410.09	Pistone Ø 28x54	3
34	90.3584.00	OR Ø 10.82x1.78 (2043) - 90 Sh.	3
35	66.2195.66	Vite fissaggio pistone	3
36	90.3833.00	OR Ø 13.95x2.62 (3056)	1
37	98.2100.00	Tappo G 3/8"x13	2
38	66.0803.70	Anello di fondo Ø 18	176 3
	66.0800.70	Anello di fondo Ø 20	171 3
	66.0801.70	Anello di fondo Ø 22	173 3
	66.0825.70	Anello di fondo Ø 28	247 3

POS	COD.	DESCRIZIONE – DESCRIPTION - KIT	NR
39	90.3616.00	OR Ø34.65x1.78 (2137)171-173-176-182	3
	90.3620.00	OR Ø 37.82x1.78 (2150) - W1550 247	3
40	90.2652.00	Anello tenuta Ø18x26x6.5 LP 180-176	3
	90.2690.00	Anello tenuta Ø20x28x6.5 LP 170-171	3
	90.2715.00	Anello tenuta Ø22x30x6.5 LP 172-173	3
	90.2753.00	Anello tenuta Ø28x36x6.5 LP 247-248	3
41	66.2163.70	Anello intermedio Ø 18	176 3
	66.2160.70	Anello intermedio Ø 20	171 3
	66.2161.70	Anello intermedio Ø 22	173 3
	66.2200.70	Anello intermedio Ø 28	247 3
42	90.2655.00	Anello tenuta Ø18x28x10 HP 180-176	3
	90.2692.00	Anello tenuta Ø20x30x10 HP 170-171	3
	90.2717.00	Anello tenuta Ø22x32x10 HP 172-173	3
	90.2754.00	Anello tenuta Ø28x38x10 HP 247-248	3
43	47.2000.74	Piedino fissaggio pompa	2
44	96.7106.00	Rosetta Ø 10.2 DIN 7980	4
45	99.3644.00	Vite M10x18 UNI 5931	4
46	90.9126.00	Boccola Ø 22x25x30	3
47	90.1625.00	Anello rad. Ø 22x32x5.5	2 3
48	96.7380.00	Rosetta Ø 17.5x23x1.5	1
49	98.2268.00	Tappo G 3/4"x16	1
50	96.7700.00	Rosetta Ø 26.5x32x1.5	1
51	98.2043.00	Tappo G 1/4"x13	3



**W5015 – W4015 – W3521
T4018**

PISTONE - PISTON Ø 16

PISTONE - PISTON Ø 18

**W5015 – W4015
T4018**

W3521

DISTINTA – SPARE PARTS

POS	COD.	DESCRIZIONE – DESCRIPTION - KIT	NR
1	66.1210.41	Testata Ø 16	1
	66.1211.41	Testata Ø 18	1
	66.1240.41	Testata Ø 16 – W5015 – W4518	1
2	99.3820.00	Vite M10x120 UNI 5931	8
3	90.5118.00	Anello antiestr. Ø 19.5x22x1.5	3
4	90.3596.00	OR Ø 18.77x1.78 (2075)	3
5	66.2102.70	Distanziale	3
6	36.7121.01	Gruppo valvola aspiraz. / mand. 150	6
7	90.3841.00	OR Ø 17.13x2.62 (3068) 150	6
8	36.2003.66	Sede valvola 150	6
9	36.2032.66	Valvola sferica 150	6
10	94.7376.00	Molla Ø 9.4x14.8 150	6
11	36.2025.51	Guida valvola 150	6
12	90.5115.00	Anello antiestr. Ø 18.7x23x1.5	3
13	90.3843.00	OR Ø 17.86x2.62 (123)	3
14	66.2101.66	Bussola	3
15	90.3857.00	OR Ø 23.81x2.62 (132)	6
16	66.2100.70	Tappo Ø 29	3
17	90.5165.00	Anello antiestr. Ø 24.7x29x1.5	3
18	66.1301.41	Tappo valvole M32x1.5x18.5	3
19	99.3039.00	Vite M8x16 UNI 5931	8

KIT RICAMBI – SPARE KITS

**PISTONE - PISTON
Ø16**

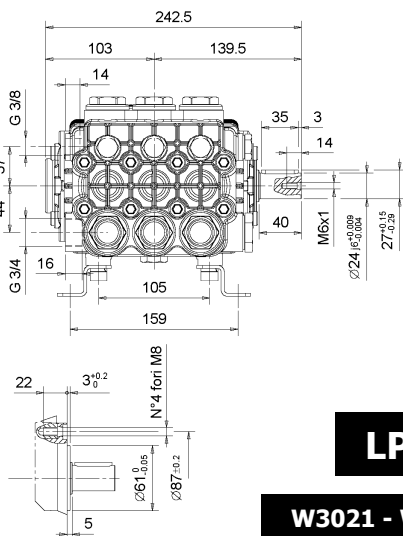
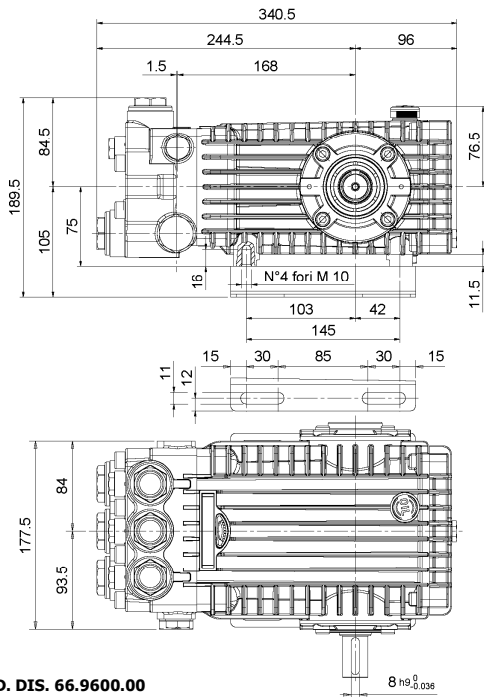
**PISTONE - PISTON
Ø18**

KIT Nr.	KIT 2	KIT 3	KIT 150	KIT 174	KIT 175	KIT 180	KIT 176
Posizioni include Positions included	55	20	6 - 7 8 - 9 10 (11)	48 - 50	46 - 47 48 - 49 50	48 - 50	46 - 47 48 - 49 50
Nr. Pcs.	3	2	6	3	1	3	1

POS	COD.	DESCRIZIONE – DESCRIPTION - KIT	NR
20	90.1648.00	Anello rad. Ø 30x56x7 3	2
21	47.1510.22	Coperchio cuscinetto aperto	2
22	90.3913.00	OR Ø 67.95x2.62 (3268)	2
23	91.8380.00	Cuscinetto a rulli NJ 2206 EC	2
24	66.0100.22	Carter pompa	1
25	98.2106.00	Tappo carico olio	1
26	91.4892.00	Linguetta 9x7x35 UNI 6604	2
27	66.0210.35	Albero – D.PTO W5015 – W4015 – W3521 T4015	1 1
28	66.0300.01	Biella completa	3
29	90.3922.00	OR Ø 133.02x2.62 (3525)	1
30	66.1600.22	Coperchio posteriore	1
31	99.1884.00	Vite M6x20 UNI 5931	4
32	90.4051.00	OR Ø 26.58x3.53 (4106)	1
33	63.2100.51	Spia livello olio	1
34	98.2041.00	Tappo G 1/4"x9	1
35	90.3585.00	OR Ø 10.82x1.78 (2043)	1
36	99.3099.00	Vite M8x35 UNI 5931	6
38	97.7405.00	Spinotto Ø 14x39	3
39	66.0500.66	Guida pistone	3
40	96.7101.00	Rosetta Ø 10x28x0.5	3
41	66.0402.09	Pistone Ø 16x54	3
	66.0403.09	Pistone Ø 18x54	3
42	90.3584.00	OR Ø 10.82x1.78 (2043) – 90 Sh.	3

POS	COD.	DESCRIZIONE – DESCRIPTION - KIT	NR
43	66.2195.66	Vite fissaggio pistone	3
44	90.3833.00	OR Ø 13.95x2.62 (3056)	1
45	98.2100.00	Tappo G 3/8"x13	2
46	66.0802.70	Anello di fondo Ø 16	175 3
	66.0803.70	Anello di fondo Ø 18	176 3
47	90.3616.00	OR Ø 34.65x1.78 (2137) 175-176	3
48	90.2631.00	Anello tenuta Ø 16x24x6.5 LP 174-175	3
	90.2652.00	Anello tenuta Ø 18x26x6.5 LP 180-176	3
49	66.2162.70	Anello intermedio Ø 16	175 3
	66.2163.70	Anello intermedio Ø 18	176 3
50	90.2634.00	Anello tenuta Ø 16x26x9.5 HP 174-175	3
	90.2655.00	Anello tenuta Ø 18x28x10 HP 180-176	3
51	47.2000.74	Piedino fissaggio pompa	2
52	96.7106.00	Rosetta Ø 10.2 DIN 7980	4
53	99.3644.00	Vite M10x18 UNI 5931	4
54	90.9126.00	Boccola Ø 22x25x30	3
55	90.1625.00	Anello rad. Ø 22x32x5.5	2 3
56	93.1858.00	Rondella di tenuta G 3/8" Ø 15x27x2	1
57	96.7514.00	Rosetta Ø 21.5x27x1.5	1
58	98.2176.00	Tappo G 1/2"x10	1

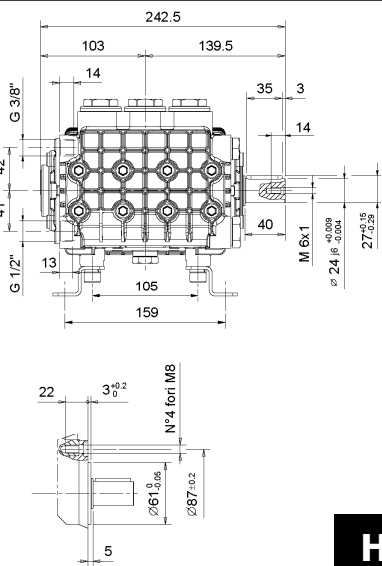
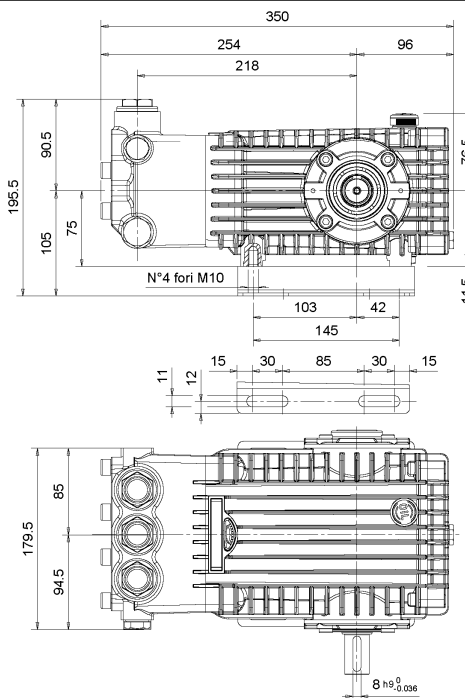
**DIMENSIONI D'INGOMBRO – OVERALL DIMENSIONS – DIMENSIONS D'ENCOMBREMENT
RAUMBEDARF – DIMENSIONES TOTALES – DIMENSÕES**



LP

**W3021 - W2525
W3025 - W2030
W2035 - W2141
W1550 - T3025
T2530 - T2830
T2535 - T2040
T1750**

COD. DIS. 66.9600.00

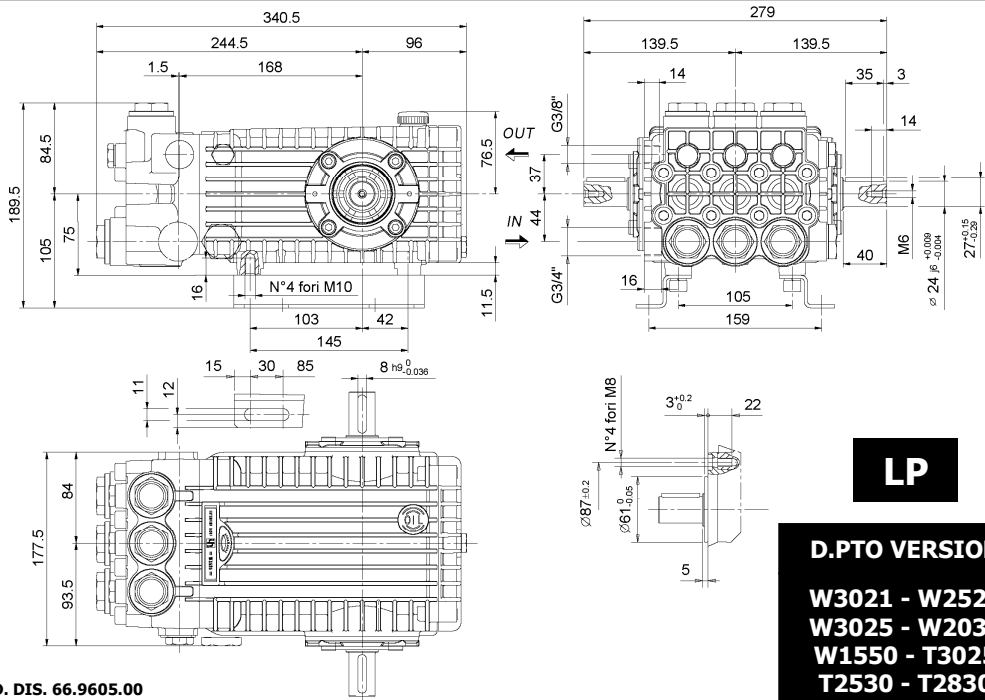


HP

**W5015 - W4518
W4015 - W4018
W3521 - W3523
W5018 - T4018**

COD. DIS. 66.9601.00

Potenza max. trasmissibile dal 2° PTO – Transmissible max. power from 2° PTO
 Puissance max. transmissible du 2° PTO - Die transmissible max. energie von 2° PTO
 La energía max. de transmissible de 2° PTO – O poder max. de transmissible de 2° PTO
 6.8 Hp - 5 kW - 1450 rpm

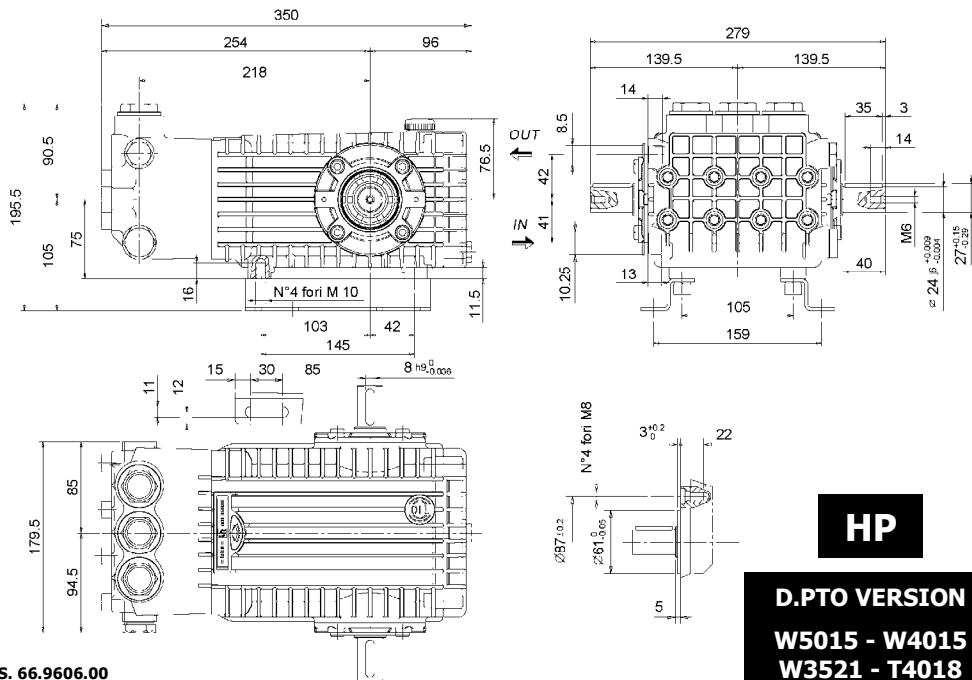


COD. DIS. 66.9605.00

LP

D.PTO VERSION

**W3021 - W2525
 W3025 - W2030
 W1550 - T3025
 T2530 - T2830**



COD. DIS. 66.9606.00

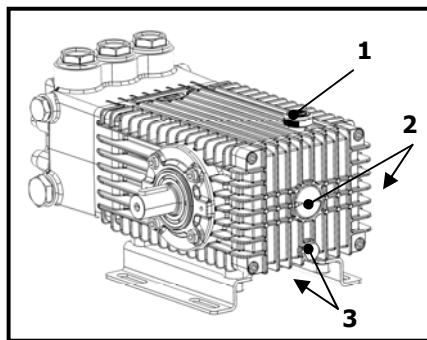
HP

D.PTO VERSION

**W5015 - W4015
 W3521 - T4018**

1 - CAMBIO OLIO

- 1.1 – Il cambio dell'olio va eseguito con pompa a temperatura di lavoro.
- 1.2 – Posizionare un recipiente sotto il tappo di scarico olio (3).
- 1.3 – Rimuovere il tappo con asta (1) e successivamente il tappo di scarico (3).
- 1.4 – Attendere fino a quando tutto l'olio è uscito, quindi riavvitare il tappo di scarico (3) con la coppia torcente indicata su disegno esploso.
- 1.5 – Riempire con olio nuovo fino al raggiungimento della mezzeria del tappo spia livello olio (2) e riavvitare il tappo con asta (1) .



Per il tipo di olio da utilizzare fare riferimento a quanto indicato sul libretto generico.



ATTENZIONE: L'olio esausto deve essere raccolto in recipienti e smaltito negli appositi centri in accordo alla normativa vigente. Non deve essere assolutamente disperso nell'ambiente.

1 – OIL CHANGING

- 1.1 – Oil changing must be done with the pump at operating temperature.
- 1.2 – Put a container under the oil drain plug (3).
- 1.3 – Remove the oil dipstick (1) and then the drain plug (3).
- 1.4 – Wait until all the oil has drained out, then screw the drain plug (3) and tighten at the torque shown in the exploded diagram.
- 1.5 – Fill with new oil until the middle of the oil level indicator (2) is reached, screw by hand the oil dipstick (1).

Refer to the generic booklet for the type of oil to use.



WARNING: The exhaust oil must be collected in receptacles and disposed of at authorised centres as specified by law. It must not be thrown away in the environment.

1 - CHANGEMENT DE L'HUILE

- 1.1 – Le changement de l'huile doit être exécuté avec la pompe à température d'exercice.
- 1.2 – Placer un récipient sous le bouchon de vidange de l'huile (3).
- 1.3 – Enlever le bouchon-jauge (1), puis enlever le bouchon de vidange (3).
- 1.4 – Attendre que toute l'huile soit sortie, puis revisser le bouchon de vidange (3) avec le couple de torsion qui est indiqué sur le dessin éclaté.
- 1.5 – Remplir avec de l'huile neuve jusqu'à la ligne médiane du bouchon indicateur du niveau d'huile (2), et revisser le bouchon-jauge (1).

Pour le type d'huile à utiliser, se référer à ce qui est indiqué sur la notice générale.



ATTENTION : L'huile usée doit être recueillie dans des récipients et éliminée dans les centres prévus à cet effet, conformément à la réglementation en vigueur. Il ne faut absolument pas la jeter dans l'environnement.