

# BGX-BGDX heavy duty

STAINLESS STEEL AISI 304 / ACCIAIO INOX AISI 304

ø 550 mm  
drum/tamburo

connection hose included for versions with hose. Not included for BGX4H3825X  
*tubo di collegamento incluso per versioni con tubo. Non incluso per BGX4H3825X*

optional [page 80-83](#)

**BGXSG30**

**P12A80/P12A95**



II 2G/D  
optional



only for  
solo per  
BGX models



Spring side with guide-hose arm in "B" position  
*Lato molla con braccio guidatubo in posizione B*

**EN** Automatic hose reels designed for washing operations with water and detergent. Specific versions with food-quality hose suitable for the passage of drinking water are also available. Single-support structure with outer spring and drum rotates on ball bearings. Hose-guide arms adjustable in three different positions according to the hose reel installation (pos. A-B-C). Standard: connection hose for versions with hose, lateral protective covers, 4-rollers hose guide. Optional: revolving stand.

**FR** Enrouleurs automatiques particulièrement adaptés pour opérations de lavage à l'eau et détergents. Versions avec tuyau de qualité alimentaire indiquées aussi pour le passage d'eau potable. Structure à support unique avec ressort externe, rotation du tambour sur roulements à billes. Bras guide-tuyau orientables en 3 positions différentes pour permettre l'installation souhaitée (pos. A-B-C). De série: tuyau de connexion pour versions avec tuyau, couvercles latéraux de protection, guide tuyau 4 rouleaux. En option: support pivotant.

**DE** Schlauchaufroller für Waschvorgänge mit Wasser und Reinigungsmittel, sowie bei lebensmittelechtem Schlauch auch zum Transport von Trinkwasser. Einfachhalterung mit äußerer Aufzugsfeder, kugelgelagerte Schlauchtrommel. Schwenkbare Arme für 3 versch. Positionen (s.Abb. A-B-C). Serienmäßig: Verbindungsschlauch bei Versionen mit Schlauch, Schlauchführung mit 4 Rollen, seitliche Schutzverkleidungen. Optional: Schwenkconsole.

**ES** Enrolladores automáticos ideados especialmente para el lavado con agua y detergentes. Versiones con mangueras de calidad alimentaria idóneos también para el paso de agua potable. Estructura de un único soporte con muelle exterior, rotación del tambor sobre cojinetes de rodamiento. Brazo guía manguera fijable en tres diversas posiciones para permitir la instalación deseada (pos. A-B-C). Estándar: manguera de conexión en los modelos con

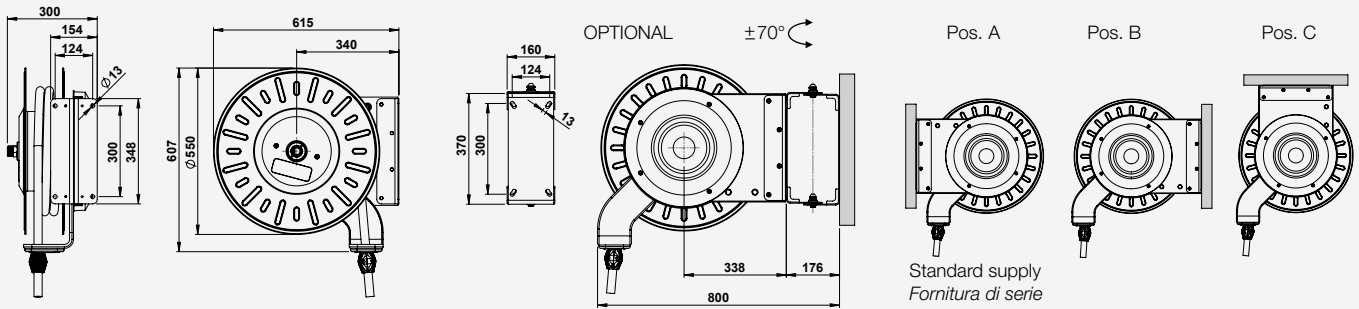
manguera, tapas laterales de protección, guía manguera de 4 rodillos. Opcional: soporte giratorio.

**IT** Avvolgitubo automatici particolarmente adatti per operazioni di lavaggio con acqua e detersivi. Versioni con tubo di qualità alimentare idonee anche per passaggio di acqua potabile. Struttura monosupporto con molla esterna, rotazione del tamburo su cuscinetti a sfera. Bracci guidatubo orientabili in tre diverse posizioni per consentire l'installazione desiderata (pos. A-B-C). Di serie: tubo di collegamento per versioni con tubo, carter laterali di protezione, guidatubo a 4 rulli. Opzionale: supporto girevole.

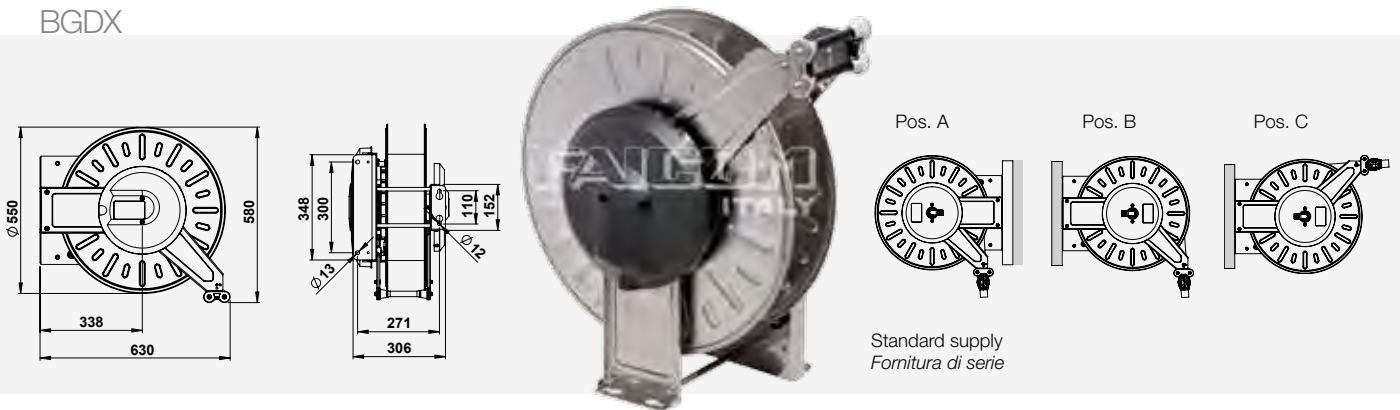


BGX

Dimensions (mm) / Dimensioni (mm)



BGDx



Hose reels model BGX/BGDx without hose / Avvolgitubo modello BGX/BGDx senza tubo

Fluid Fluido	Max. pressure Pressione max.	Code Codice	Inlet Entrata	Outlet Uscita	Capacity Capacità	Weight (kg) Peso (kg)	ATEX (optional)
Water Acqua 150°C	60 Bar/840 PSI	BGX600125ST	1" M	3/4" F	(1") 15 m/50 ft (3/4") 20 m/65 ft	33	•
		BGX4H3830ST	3/8" F	3/8" M	30 m/100 ft	36	•
	400 Bar/5600 PSI	BGX4H1230ST	1/2" M	1/2" M	30 m/100 ft	36	•
		BGDx4H1240ST	1/2" M	3/8" M 1/2" M	40 m/130 ft	40	•

Hose reels model BGX with hose / Avvolgitubo modello BGX completi di tubo

Fluid Fluido	Pressure - Hose Pressione - Tubo	Code Codice	**Inlet (Bsp) **Entrata (Gas)	Outlet (Bsp) Uscita (Gas)	Hose diam. Tubo diam.	Hose length Lungh. Tubo	Weight (kg) Peso (kg)	ATEX (optional)
Water Acqua 70°C	10 Bar/140 PSI (70°C) 20 Bar/280 PSI (25°C) Blue Thermoplastic	BGX101325K	1/2" F	1/2" M	13 x 20	25 m/80 ft	41	
		BGX101330K	1/2" F	1/2" M	13 x 20	30 m/100 ft	42	
		BGX101625K	1/2" F	1/2" M	16 x 23	25 m/80 ft	42	
		BGX101920K	3/4" F	3/4" F	19 x 27	20 m/65 ft	42	
		BGX102515K	1" F	1" F	25 x 34	15 m/50 ft	44	
Water Acqua 90°C	10 Bar/140 PSI Blue Rubber/Gomma	BGX101625KR	1/2" M	1/2" M	16 x 25	25 m/80 ft	42	
		BGX101920KR	3/4" F	3/4" F	19 x 28	20 m/65 ft	42	
Water Acqua 150°C	400 Bar/5600 PSI 2SC Hydro blue	BGX4H3825	3/8" F	3/8" M	3/8"	25 m/80 ft	45	
		BGX4H3830	3/8" F	3/8" M	3/8"	30 m/100 ft	48	•
		*BGX4H3825X	3/8" F	3/8" F	3/8"	25 m/80 ft	45	
	300 Bar/4200 PSI 2SC Hydro blue	BGX3H1225	1/2" F	1/2" F	1/2"	25 m/80 ft	50	
		BGX3H1230	1/2" F	1/2" F	1/2"	30 m/100 ft	55	•

\* Hose with stainless steel fittings / Tubo con raccordi in acciaio inox

\*\* Fitting of the connection hose / Raccordo del tubo di collegamento