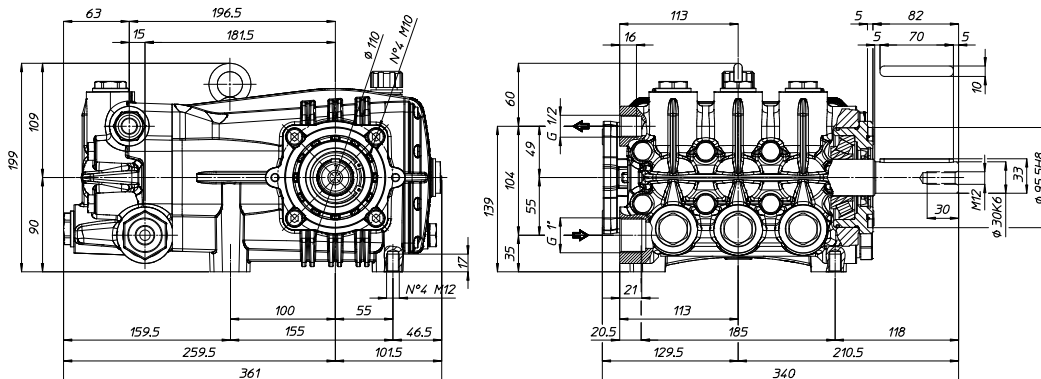


RPM	CODICE CODE	MODELLO MODEL	PORTATA FLOW				PRESSIONE PRESSURE		POTENZA POWER		PESO WEIGHT	PRESA DI FORZA SHAFT TYPE
			NOM.				bar	PSI	HP	kW		
			l/min	GPM	l/min	GPM						
1000	878000	NK-B 25/350 R	35.1	6.6	24.0	6.3	350	5075	21.5	16.0	30.5	R - Albero MASCHIO 30 mm DX R - MALE Shaft 30 mm RIGHT
	878200	NK-B 32/350 R	34.2	9.0	32.7	8.6	350	5075	29.3	21.9	30.5	
	877900	NK-B 37/300 R	38.8	10.2	37.0	9.8	300	4350	28.5	21.2	30.5	
	878500	NK-B 42/250 R	44.2	11.7	42.2	11.1	250	3625	27.0	20.2	30.5	
	878400	NK-B 50/250 R	50.1	13.2	47.8	12.6	250	3625	30.7	22.9	30.5	
1450	875900	NK-C 35/350 R	36.4	9.6	34.6	9.1	350	5075	31.0	23.1	30.5	
	876000	NK-C 47/350 R	49.6	13.1	47.1	12.5	350	5075	42.35	31.5	30.5	
	875100	NK-C 55/300 R	56.2	14.9	53.4	14.1	300	4350	41.1	30.5	30.5	
	876100	NK-C 60/250 R	64.1	16.1	60.9	126.1	250	3625	39.0	29.1	30.5	
	875200	NK-C 70/250 R	72.6	19.2	69.0	18.2	250	3625	44.2	33.0	30.5	
1750	878100	NK-D 11.0/51 R	43.9	11.6	41.5	11.0	350	5075	37.2	27.8	30.5	
	878300	NK-D 15.0/44 R	59.9	15.8	56.6	14.9	300	4350	43.5	32.5	30.5	

Tutti i modelli di Pompe sono disponibili con Presa di Forza Sinistra. Nel Modello compare "L". Esempio : NK-B 25/350 L  
All models of PUMPS are available with Left P.T.O. Shaft. Descriptions mention "L". For example : NK-B 25/350 L

**Dimensioni d'ingombro (mm) - Overall Dimensions (mm)**



## 875100 - PUMP NK-C 55/300 R

