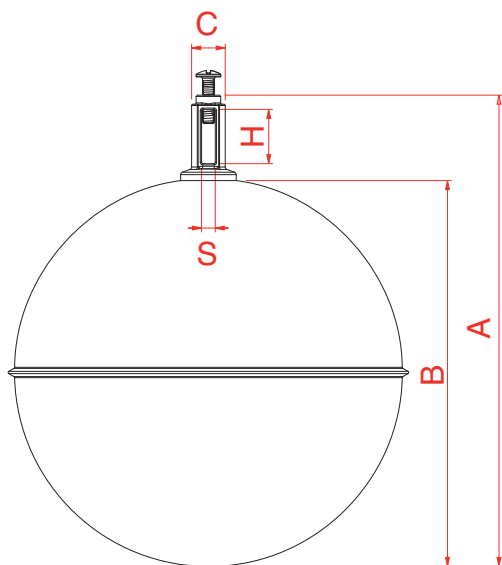


535

Sfera rame tonda con reggisfera saldato
 Round copper ball with soldered sliding

materiali - materials

CW024A UNI EN 1652, CW754N UNI EN 1982, CW508L UNI EN 12166,
 Lega di stagno (tin alloy)



misure d'ingombro (mm.)
overall dimensions (mm.)

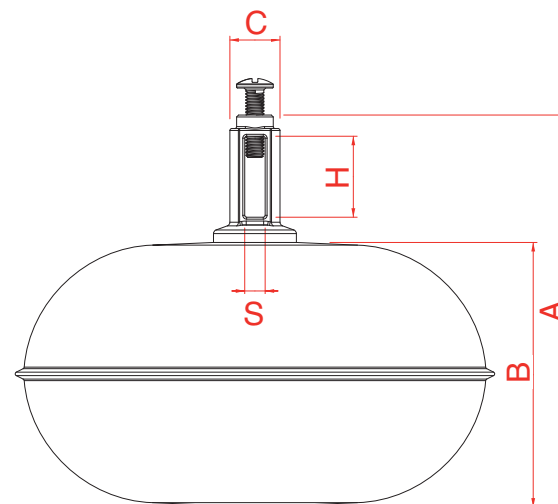
Size	versione version	A	B	C	H	S
Ø 120	535/1	155	30	13	20	5
Ø 150	535/1	185	30	13	20	5
Ø 180	535/1	215	30	13	20	5
Ø 200	535/1	235	30	13	20	5
Ø 220	535/1	255	30	13	20	5
Ø 250	535/1	285	30	13	20	5
Ø 300	535/1	335	30	13	20	5

538

Sfera rame piatta con reggisfera saldato
 Flat copper ball with soldered sliding

materiali - materials

CW024A UNI EN 1652, CW754N UNI EN 1982, CW508L UNI EN 12166,
 Lega di stagno (tin alloy)



misure d'ingombro (mm.)
overall dimensions (mm.)

Size	versione version	A	B	C	H	S
Ø 120	538/1	115	82	18	20	5
Ø 150	538/1	140	107	18	20	5
Ø 180	538/1	142	109	18	20	5
Ø 200	538/1	147	114	18	20	5
Ø 220	538/1	161	128	18	20	5
Ø 250	538/1	175	142	18	20	5
Ø 300	538/1	193	160	18	20	5