

Sfera plastica con scorrevole

Plastic ball with sliding

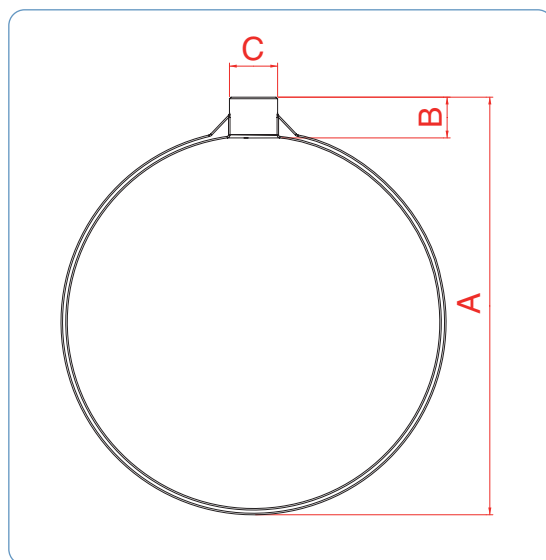
532

materiali / materials

ALL55-003, AISI 304

misure d'ingombro (mm.) / overall dimensions (mm.)

dimensione size	versione version	A	B	C	H	S
Ø 120	532/1	155	25	15	15	3,5
Ø 150	532/1	170	25	15	16	4
Ø 180	532/1	210	35	15	18	4
Ø 220	532/1	245	55	15	20	5
Ø 300	532/1	350	45	15	20	5



Sfera rame tonda con nervature

Round copper ball with ribs

534

materiali / materials

CW024A UNI EN 1652, CW614N UNI EN 12164, Lega di stagno (tin alloy)

misure d'ingombro (mm.) / overall dimensions (mm.)

dimensione size	versione version	A	B	C	filetto thread
Ø 85	534/1	96	10	9	1/4 W
Ø 90	534/1	100	10	9	1/4 W
Ø 100	534/1	110	10	9	1/4 W
Ø 120	534/3	130	10	12	5/16 W
Ø 150	534/3	160	10	12	5/16 W