



EQUIPAGGIAMENTI
TECNICI
LAVAGGIO

60.0650.00

VALVOLA SICUREZZA VS 660
SAFETY VALVE VS 660



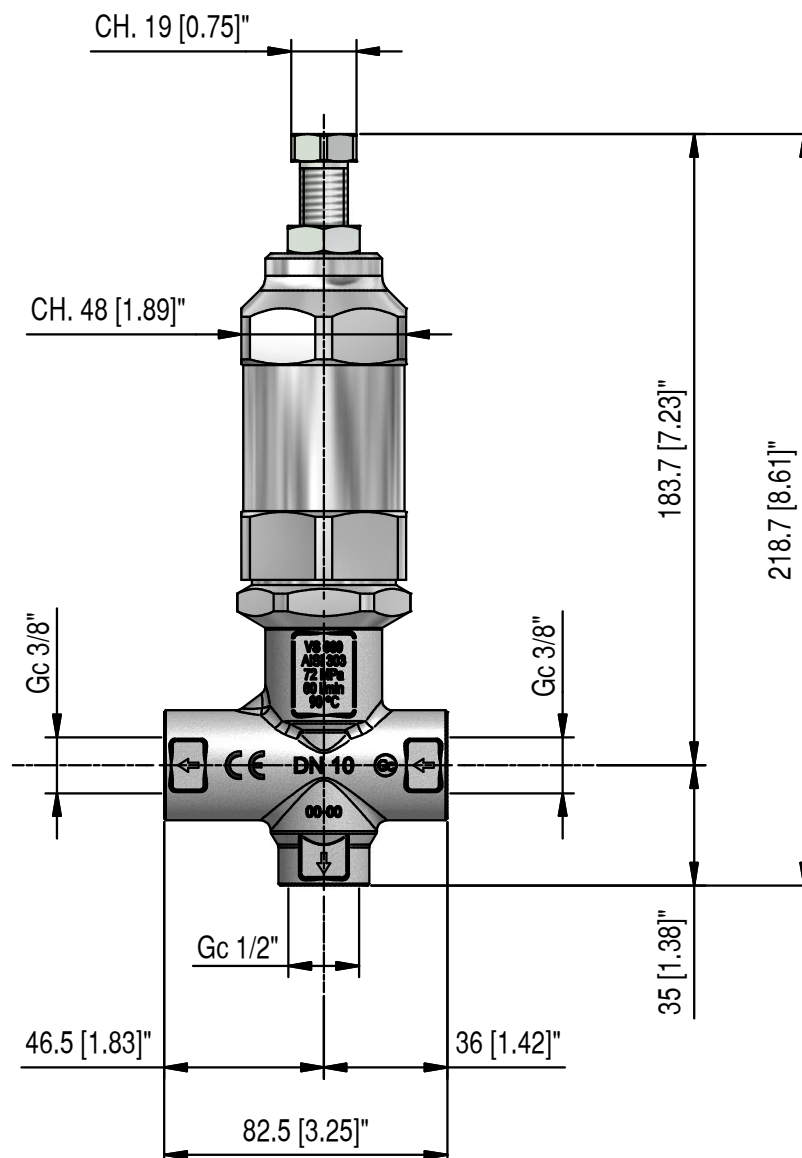
2

08/10/10

CARATTERISTICHE TECNICHE – SPECIFICATIONS

- PRESSIONE NOMINALE RATED PRESSURE	660 bar – 66 MPa (9500 psi)
- PRESSIONE CONSENTITA PERMISSIBLE PRESSURE	720 bar – 72 MPa (10450 psi)
- PORTATA MASSIMA MAX FLOW RATE	60 l/min (16 USG p.m.)
- TEMPERATURA MASSIMA MAX WORKING TEMPERATURE	90° C (195° F)
- MASSA WEIGHT	1845 g (65.08 oz.)

MISURE D'INGOMBRO – OVERALL DIMENSIONS





EQUIPAGGIAMENTI
TECNICI
LAVAGGIO

60.0645.00
VALVOLA SICUREZZA VS 660
SAFETY VALVE VS 660



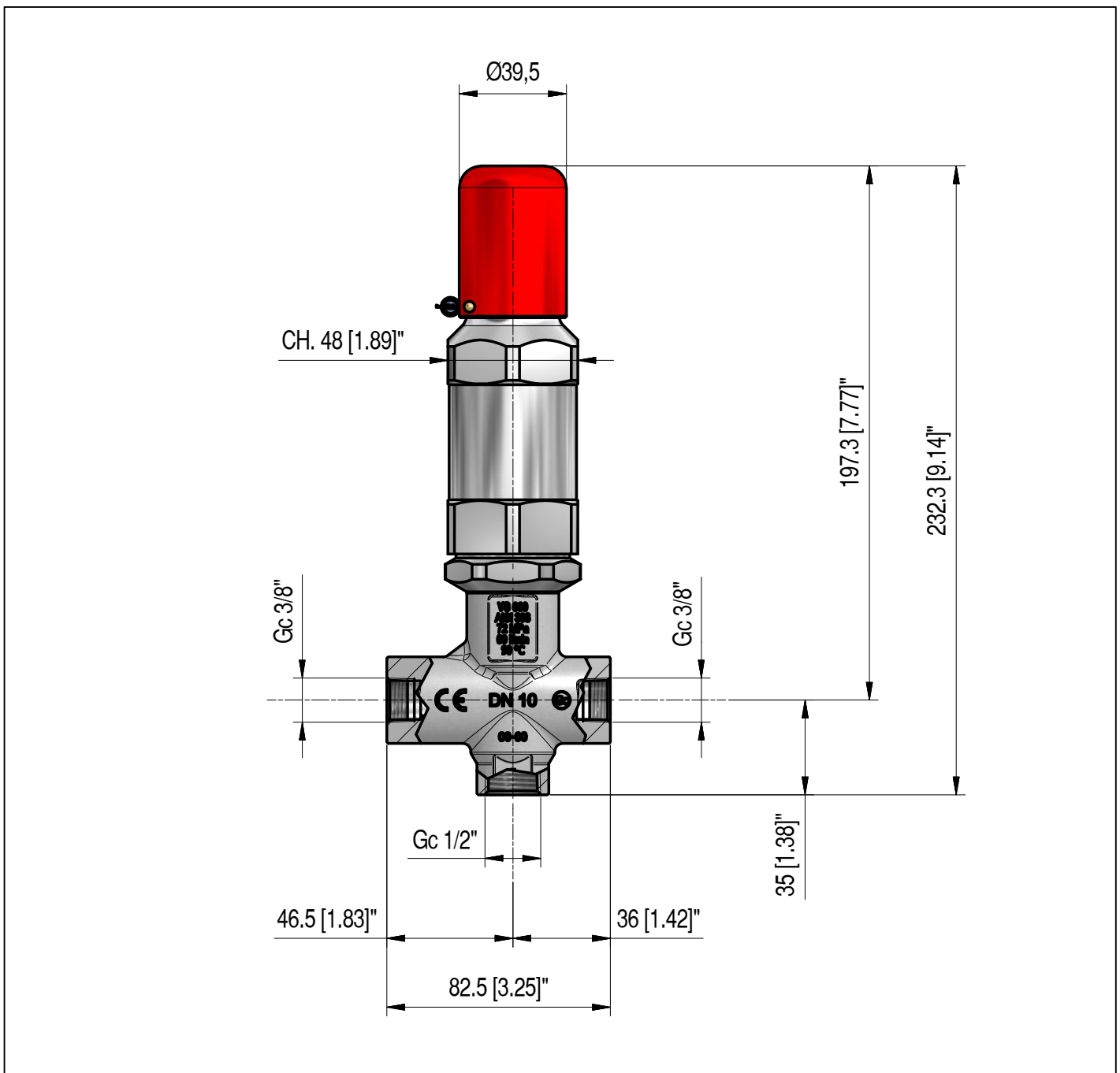
2

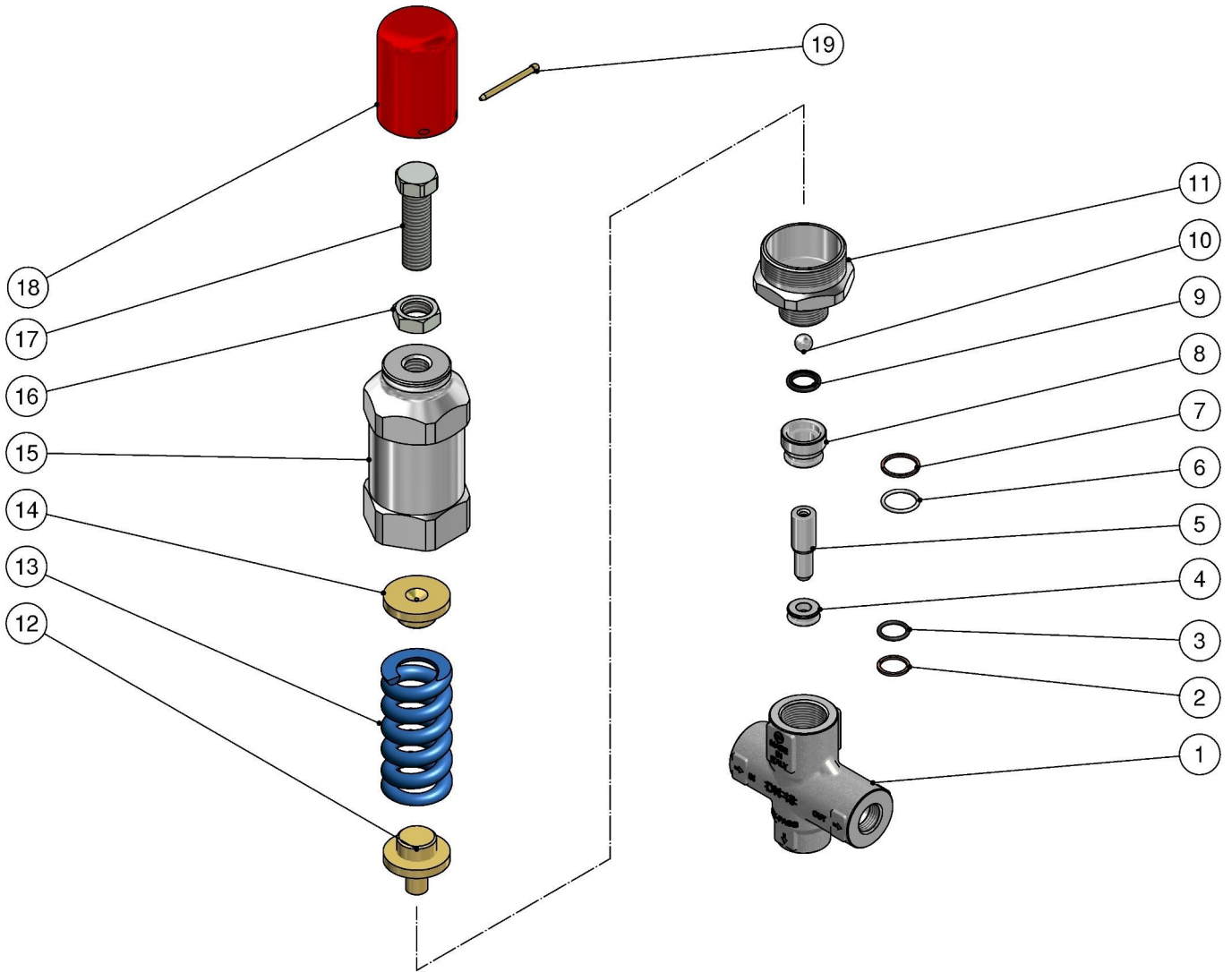
08/10/10

CARATTERISTICHE TECNICHE – SPECIFICATIONS

– PRESSIONE NOMINALE RATED PRESSURE	660 bar – 66 MPa (9500 psi)
– PRESSIONE CONSENTITA PERMISSIBLE PRESSURE	720 bar – 72 MPa (10450 psi)
– PORTATA MASSIMA MAX FLOW RATE	60 l/min (16 USG p.m.)
– TEMPERATURA MASSIMA MAX WORKING TEMPERATURE	90° C (195° F)
– MASSA WEIGHT	1845 g (65.08 oz.)

MISURE D'INGOMBRO – OVERALL DIMENSIONS





Pos.	P/N	Description	Q.ty	K1	K2	K3	K4	
1	60.0651.55R	Housing -VS660 3/8 Bspt FF aisi303	1					2
2	10.4013.00R	Back-up ring, 16x13,2x1,2 mm	1	•				10
3	10.3060.01R	O-ring, 1,78x12,42 mm Ni 85	1	•				10
4	60.0656.51R	Seat, 7,6x16x6,2 mm Sst.	1	•				2
5	60.0657.51R	Piston, 12 mm Sst.	1	•				1
6	10.3066.01R	O-ring, 1,78x15,6 mm Ni 85	1	•				10
7	10.4042.00R	Back-up ring, 16,3x19x1,2 mm	1	•				10
8	60.0658.51R	Sst spacer ring	1					2
9	10.2013.00R	Stem seal, 12x17x2,2 mm +O-ring	1	•				5
10	14.7443.10R	Ball, 11/32" Sst.	1					10

Pos.	P/N	Description	Q.ty	K1	K2	K3	K4	
11	60.0659.51R	Piston holder, Sst.	1					2
12	60.0654.31R	Spring rest pin, brass	1					2
13	60.0412.61R	Spring, 7,5x35x70 mm blue	1					10
14	60.0652.31R	Spring guide spacer, brass	1					2
15	60.0655.31R	Spring holder, brass	1					1
16	11.4760.00R	Hex. nut, M14	1					10
17	60.4307.51R	Valve regulating screw, M14 sst.	1					2
18	60.0598.41R	Knob x block. press al-red (1)	1					5
19	60.5114.31R	4 mm brass pin (2)	1					5

Kit	P/N	Description	
K1	60.0646.24	Spares kit -Vs 660, 7x1pcs.	1

(1) 60.0645.00 (2) 60.0650.00