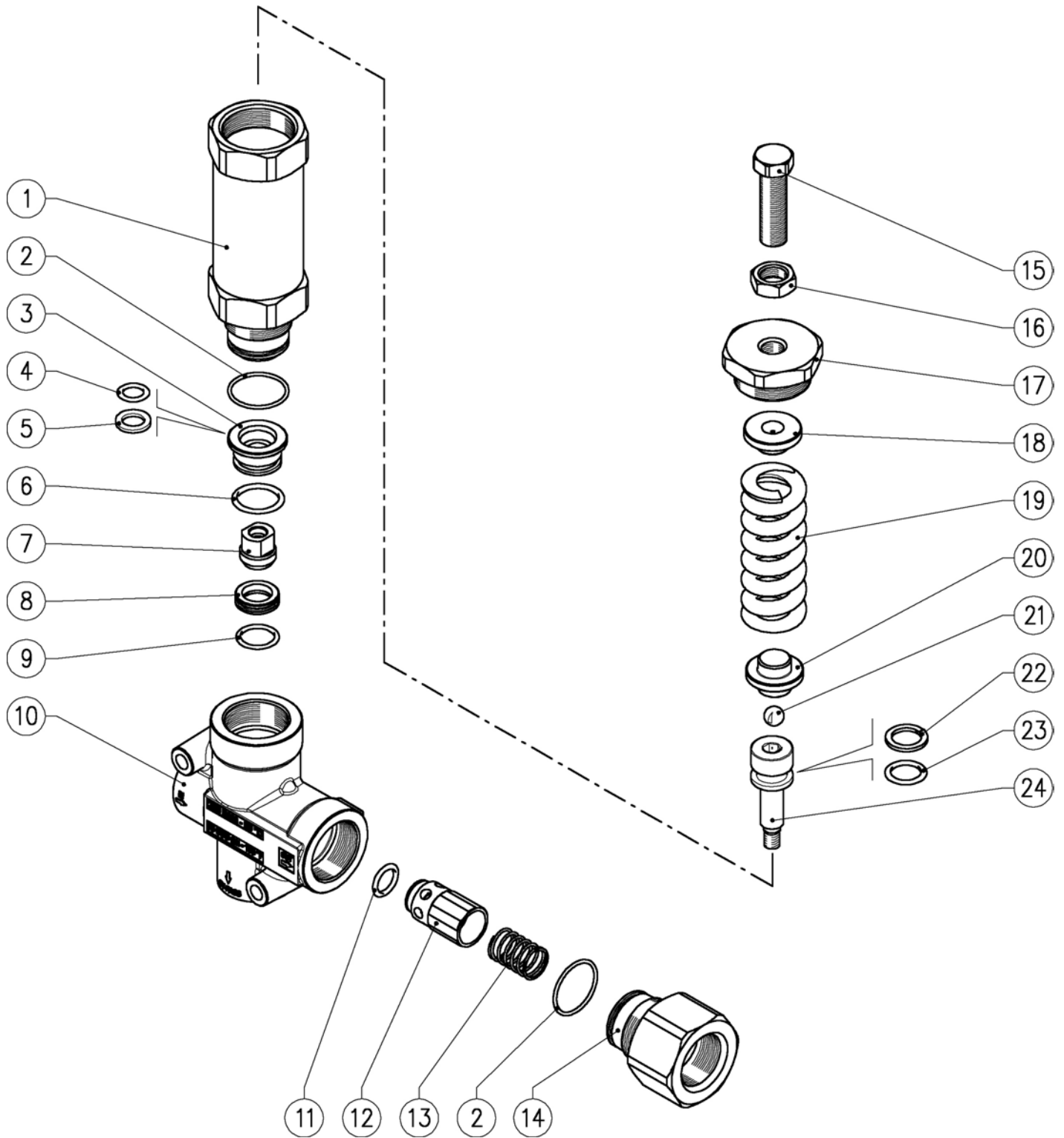



60.4300.00 VB200/280 unload. 1" F Bsp



| Pos. | P/N | Description | Q.ty | K1 | K2 | K3 | K4 | Pos. | P/N | Description | Q.ty | K1 | K2 | K3 | K4 |
|------|-------------|---------------------------------------|------|----|----|----|----|------|-------------|----------------------------------|------|----|----|----|----|
| 1 | 60.4301.31R | Piston housing, brass | 1 | | | | 1 | 13 | 60.5013.51R | Spring, 1,3x18x29 mm Sst. | 1 | | | | 10 |
| 2 | 10.3077.08R | O-ring, 1,78x28,3 mm Ni 85 | 2 | • | | | 10 | 14 | 60.4303.31R | Shutter coupl., 1" Bsp F brass | 1 | | | | 1 |
| 3 | 60.5010.31R | Reduction bushing, brass | 1 | | | | 10 | 15 | 60.4307.51R | Valve regulating screw, M14 sst. | 1 | | | | 2 |
| 4 | 10.3234.00R | O-ring, 3,53x10,69 mm | 1 | • | | | 10 | 16 | 11.4760.00R | Hex. nut, M14 | 1 | | | | 10 |
| 5 | 10.4080.00R | Back-up ring, 12x18,2x2 mm | 1 | • | | | 10 | 17 | 60.4302.31R | Upper plug, M40 brass | 1 | | | | 1 |
| 6 | 10.3195.01R | O-ring, 2,62x20,29 mm Ni 90 | 1 | • | | | 10 | 18 | 60.4306.31R | Spring guide spacer, brass | 1 | | | | 2 |
| 7 | 60.5003.51R | Shutter pin, M8 Sst. | 1 | • | | | 3 | 19 | 60.4308.61R | Spring 8x26x85mm | 1 | | | | 3 |
| 8 | 60.5002.51R | Seat, 15,8x23x6 mm Sst. | 1 | • | | | 5 | 20 | 60.4304.31R | Spring guide spacer, brass | 1 | | | | 2 |
| 9 | 10.3072.01R | O-ring, 1,78x20,35 mm Ni 85 | 1 | • | | | 10 | 21 | 14.7461.00R | Ball, 13/32" Sst. | 1 | | | | 10 |
| 10 | 60.4305.35R | Housing-VB200/280, 1" Bsp brass | 1 | | | | 1 | 22 | 10.4081.00R | Back-up ring, 15,8x22x2 mm | 1 | • | | | 10 |
| 11 | 10.3314.00R | O-ring, 5,33x12,06 mm | 1 | • | | | 10 | 23 | 10.3237.00R | O-ring, 3,53x15,47 mm | 1 | • | | | 10 |
| 12 | 60.5012.99R | Shutter pin, brass+or 5,33x12,06 mm N | 1 | | | | 5 | 24 | 60.5004.51R | Piston, M8 Sst. | 1 | | | | 5 |

| Kit | P/N | Description |  |
|-----|------------|---------------------------------|---|
| K1 | 60.4309.24 | Spares kit -VB200/280, 10x1pcs. | 1 |