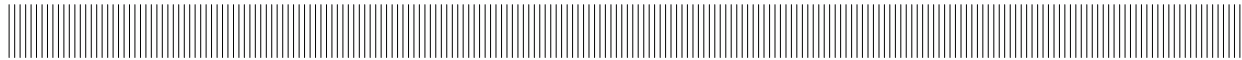


	EQUIPAGGIAMENTI TECNICI LAVAGGIO	ATTACCO RAPIDO A SFERA 250 BAR BALL QUICK COUPLING 250 BAR <b>ARS 250</b>		 <b>5</b>
				

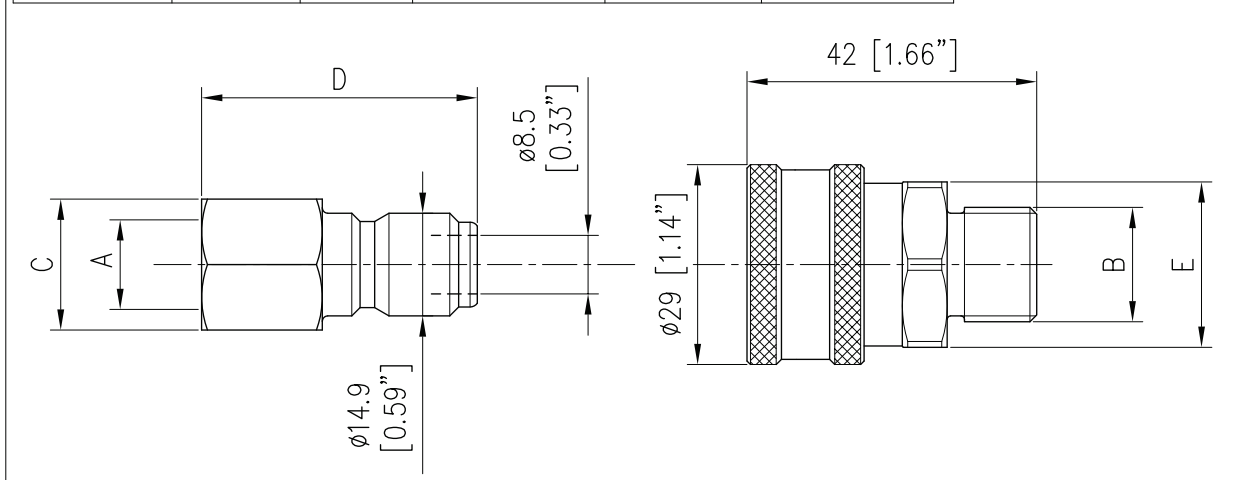


SPECIFICHE TECNICHE  
SPECIFICATIONS

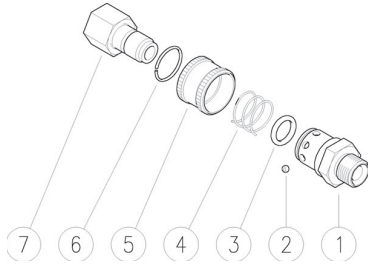
- PRESSIONE NOMINALE RATED PRESSURE	250 bar – 25 MPa (3650 psi)
- PRESSIONE CONSENTITA PERMISSIBLE PRESSURE	280 bar – 28 MPa (4050 psi)
- PORTATA MASSIMA MAX FLOW RATE	30 l/min (8 USG p.m.)
- TEMPERATURA MASSIMA MAX WORKING TEMPERATURE	90° C (195 °F)
PERNO IN ACCIAIO NICHELATO E CORPO IN OTTONE NICHELATO CON GUARNIZIONI OR IN NBR PIN IN NICKEL PLATED STEEL AND BODY IN NICKEL PLATED BRASS WITH NBR O RINGS	

MISURE D'INGOMBRO  
OVERALL DIMENSIONS

CODICE CODE	A	B	C	D	E
26.2010.00		G3/8 M			ES.24 [0.94"]
26.2010.10		G3/8 F			ES.24 [0.94"]
26.2010.20		G1/4 F			ES.24 [0.94"]
26.2010.30		G1/2 F			ES.27 [1.06"]
26.2010.40		G1/2 M			ES.24 [0.94"]
26.2015.61	G3/8 F		ES.22 [0.87"]	40 [1.57"]	
26.2016.61	G1/4 F		ES.19 [0.75"]	40 [1.57"]	
26.2023.61	G3/8 M		ES.19 [0.75"]	42 [1.65"]	
26.2024.61	G1/2 M			42 [1.65"]	



- 26.2005.00 ARS250-35-B sst. ball-type coupler 3/8M Bsp
- 26.2005.10 ARS250-35 B sst.ball-type coupler 3/8F Bsp
- 26.2006.51R ARS250-35 A sst. ball-type nipple 3/8M Bsp
- 26.2007.51R ARS250-35 A sst. ball-type nipple 3/8F Bsp
- 26.2010.00 ARS250 B ball-type coupler 3/8M Bsp
- 26.2010.10 ARS250 B ball-type coupler 3/8F Bsp
- 26.2010.20 ARS250 B ball-type coupler 1/4F Bsp



- 26.2010.30 ARS250 B ball-type coupler 1/2F Bsp
- 26.2010.40 ARS250 B ball-type coupler 1/2M Bsp
- 26.2015.61R ARS250 A ball-type nipple 3/8F Bsp
- 26.2016.61R ARS250 A ball-type nipple 1/4F Bsp
- 26.2023.61R ARS250 A ball-type nipple 3/8M Bsp
- 26.2024.61R ARS250 A ball-type nipple 1/2M Bsp

Pos.	P/N	Description	Q.ty	K1	K2	K3	K4	
1	26.2022.31R	Housing -ARS250, 1/4F Bsp (1)	1					5
1	26.2011.31R	Housing -ARS250, 3/8M Bsp (2)	1					5
1	26.2021.31R	Housing -ARS250, 3/8F Bsp (3)	1					5
1	26.2026.31R	Housing -ARS250, 1/2M Bsp (4)	1					5
1	26.2025.31R	Housing -ARS250, 1/2F Bsp (5)	1					5
1	26.2002.51R	Sst. housing -ARS250- 35-, 3/8F Bsp (6)	1					5
1	26.2001.51R	Sst. housing -ARS250- 35-, 3/8M Bsp (7)	1					5
2	14.7405.00R	Ball, 5/32" Sst.	8	•				10
3	10.3177.00R	O-ring, 2,62x12,37 mm	1	•				10
4	26.2012.51R	Spring, 1,3x22x13mm Sst.	1	•				10
5	26.2013.31R	Ring nut, ARS250 (2)	1	•				5
5	26.2008.51R	Sst. ring nut, ARS250-35 (7)	1					5
6	26.2014.51R	Snap ring, 1,2x19 mm Sst.	1					10
7	26.2015.61R	ARS250 A ball-type nipple 3/8F Bsp (2)	1					25
7	26.2016.61R	ARS250 A ball-type nipple 1/4F Bsp	1					25
7	26.2023.61R	ARS250 A ball-type nipple 3/8M Bsp	1					25
7	26.2024.61R	ARS250 A ball-type nipple 1/2M Bsp	1					25
7	26.2007.51R	ARS250-35 A sst. ball-type nipple 3/8F Bsp (7)	1					25
7	26.2006.51R	ARS250-35 A sst. ball-type nipple 3/8M Bsp (7)	1					25

Kit	P/N	Description	
K1	26.2017.24	Spares kit -ARS250, 4x10pcs.	1

- (1) 26.2010.20 (2) 26.2010.00 (3) 26.2010.10 (4) 26.2010.40 (5) 26.2010.30
- (6) 26.2005.10 (7) 26.2005.00