


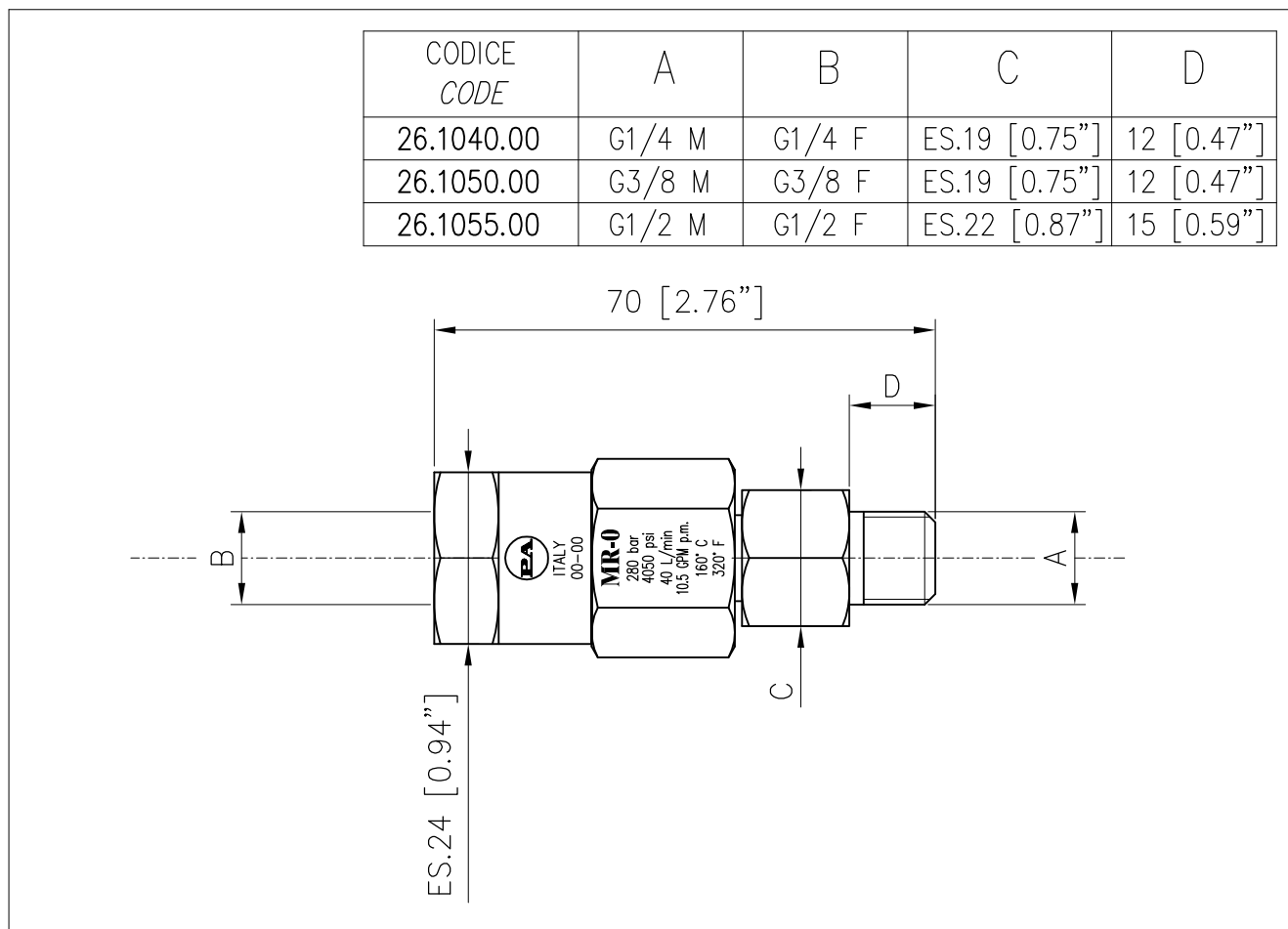
| | | | | |
|---|--|--|---|----------|
|  | EQUIPAGGIAMENTI TECNICI LAVAGGIO | 26.1040.00 26.1050.00 26.1055.00 GIUNTO GIREVOLE OTTONE MRO BRASS SWIVEL MRO | ① | 5 |
| | | | Ⓜ | |



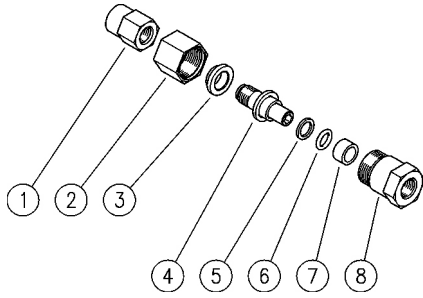
SPECIFICHE TECNICHE SPECIFICATIONS

| | |
|---|--|
| - PRESSIONE NOMINALE <i>RATED PRESSURE</i> | 250 bar – 25 MPa (3650 psi) |
| - PRESSIONE CONSENTITA <i>PERMISSIBLE PRESSURE</i> | 280 bar – 28 MPa (4050 psi) |
| - PORTATA MASSIMA <i>MAX FLOW RATE</i> | 40 l/min (10.5 USG p.m.) |
| - TEMPERATURA MASSIMA DI LAVORO (UTILIZZO CONTINUO) <i>MAX WORKING TEMPERATURE (CONTINUOUS USE)</i> | 90° C (194 °F) |
| - TEMPERATURA MASSIMA AMMESSA (SOLO PER BREVI PERIODI) <i>MAX PERMISSIBLE TEMPERATURE (FOR SHORT PERIODS ONLY)</i> | 160° C (320 °F) |
| - NUMERO DI GIRI MAX. <i>MAX RPM</i> | 30 |
| - COPPIA ALLA PRESSIONE NOMINALE <i>TORQUE AT RATED PRESSURE</i> | ~2 Nm (17.7 Lbs.in) |
| - MATERIALE <i>MATERIAL</i> | OTTONE (BRASS) |
| - GUARNIZIONI <i>SEALS</i> | OR IN FKM (VITON) O-RING SEALS IN FKM (VITON) |

MISURE D'INGOMBRO OVERALL DIMENSIONS



26.1040.00 MR-O Giunto gir. ott. G1/4 MF-sv.60°
26.1050.00 MR-O Giunto gir. ott. G3/8 MF con.60°



26.1055.00 MR-O Giunto gir. ott. G1/2 MF

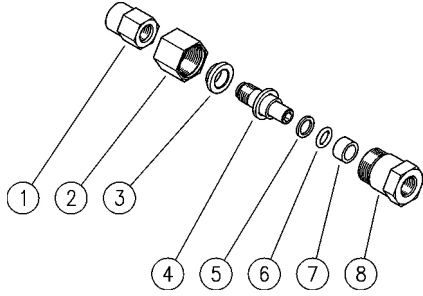
| Pos. | Codice | Descrizione | Q.tà | K1 | K2 | K3 | K4 | |
|------|------------|--|------|----|----|----|----|----|
| 1 | 26.1049.31 | Attacco post. G 1/4 M sv.60° (1) | 1 | | | | | 10 |
| 1 | 26.1101.31 | Attacco post. M12x1,25F-G3/8M svas. ott. (2) | 1 | | | | | 10 |
| 1 | 26.1057.31 | Attacco post. M12x1,25F-G1/2M ott. (3) | 1 | | | | | 10 |
| 2 | 26.1042.31 | Ghiera M22x1 ott. | 1 | | | | | 10 |
| 3 | 26.1045.84 | Boccola 12x20x6 mm Plast. | 1 | • | • | | | 5 |
| 4 | 26.1041.31 | Perno M12x1,25 ott. | 1 | | | | | 10 |
| 5 | 10.4010.01 | An. anties. a. 10,2x13,9x1,2 mm | 1 | • | • | | | 50 |
| 6 | 10.3109.95 | An.OR 2,4x9,3 mm Vi 70 | 1 | • | • | | | 25 |
| 7 | 26.1046.84 | Boccola 10x14x7 mm Plast. | 1 | • | • | | | 5 |
| 8 | 26.1044.31 | Attacco ant. M22x1M-G1/4F ott. (1) | 1 | | | | | 10 |
| 8 | 26.1051.31 | Attacco ant. M22x1M-G3/8F ott. (2) | 1 | | | | | 10 |
| 8 | 26.1056.31 | Attacco ant. M22x1M-G1/2F ott. (3) | 1 | | | | | 10 |

| Kit | Codice | Descrizione | |
|-----|------------|---------------------|---|
| K1 | 26.1053.24 | Kit ric. MR 4x1pz. | 1 |
| K2 | 26.1048.24 | Kit ric. MR 4x10pz. | 1 |

(1) 26.1040.00 (2) 26.1050.00 (3) 26.1055.00

26.1040.00 MR-O Swivel, brass 1/4 MF Bsp

26.1050.00 MR-O Swivel, brass 3/8 MF Bsp 60° con.



26.1055.00 MR-O Swivel, brass 1/2 MF Bsp

| Pos. | P/N | Description | Q.ty | K1 | K2 | K3 | K4 | |
|------|------------|---|------|----|----|----|----|----|
| 1 | 26.1049.31 | 1/4 Bsp M back fitting -60° cone (1) | 1 | | | | | 10 |
| 1 | 26.1101.31 | Back cpl.,M12x1,25F-3/8M Bsp c/sunk brs (2) | 1 | | | | | 10 |
| 1 | 26.1057.31 | Back coupling, M12x1,25F-1/2M Bsp brs (3) | 1 | | | | | 10 |
| 2 | 26.1042.31 | Ring nut, M22x1 brass | 1 | | | | | 10 |
| 3 | 26.1045.84 | Bushing, 12x20x6 mm Plast. | 1 | • | • | | | 5 |
| 4 | 26.1041.31 | Pin, M12x1,25 brass | 1 | | | | | 10 |
| 5 | 10.4010.01 | Back-up ring,10,2x13,9x1,2mm | 1 | • | • | | | 50 |
| 6 | 10.3109.95 | O-ring, 2,4x9,3 mm Vi 70 | 1 | • | • | | | 25 |
| 7 | 26.1046.84 | Bushing, 10x14x7 mm Plast. | 1 | • | • | | | 5 |
| 8 | 26.1044.31 | Front coupling, M22x1M-1/4F Bsp brass (1) | 1 | | | | | 10 |
| 8 | 26.1051.31 | Front coupling, M22x1M-3/8F Bsp brass (2) | 1 | | | | | 10 |
| 8 | 26.1056.31 | Front coupling, M22x1M-1/2F Bsp brass (3) | 1 | | | | | 10 |

| Kit | P/N | Description | |
|-----|------------|--------------------------|---|
| K1 | 26.1053.24 | Spares kit -MR, 4x1pcs. | 1 |
| K2 | 26.1048.24 | Spares kit -MR, 4x10pcs. | 1 |

(1) 26.1040.00 (2) 26.1050.00 (3) 26.1055.00

P.A. SpA EQUIPAGGIAMENTI TECNICI DEL LAVAGGIO

Via Milano, 13 42048 Rubiera - (RE) ITALY
Tel +39 0522 623611 (ric aut) - Fax +39 0522 629600
Info@pa-etl.it - www.pa-etl.it

**COMPANY WITH
QUALITY SYSTEM
CERTIFIED BY DNV GL
= ISO 9001 =**