



EQUIPAGGIAMENTI  
TECNICI  
LAVAGGIO

30.2900.00  
PISTOLA RL 34  
GUN RL 34

(I)

(GB)

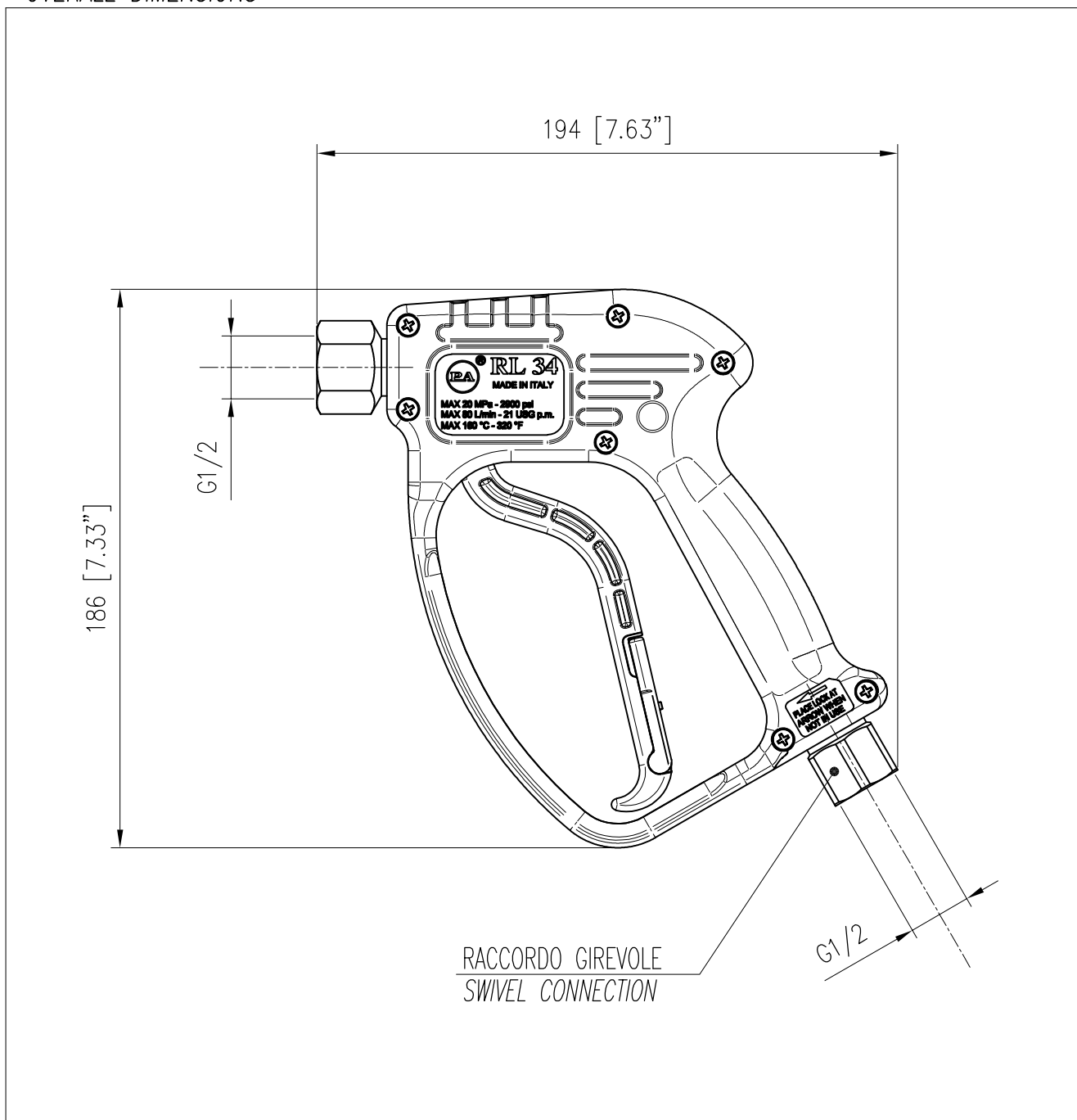
1

24/04/17

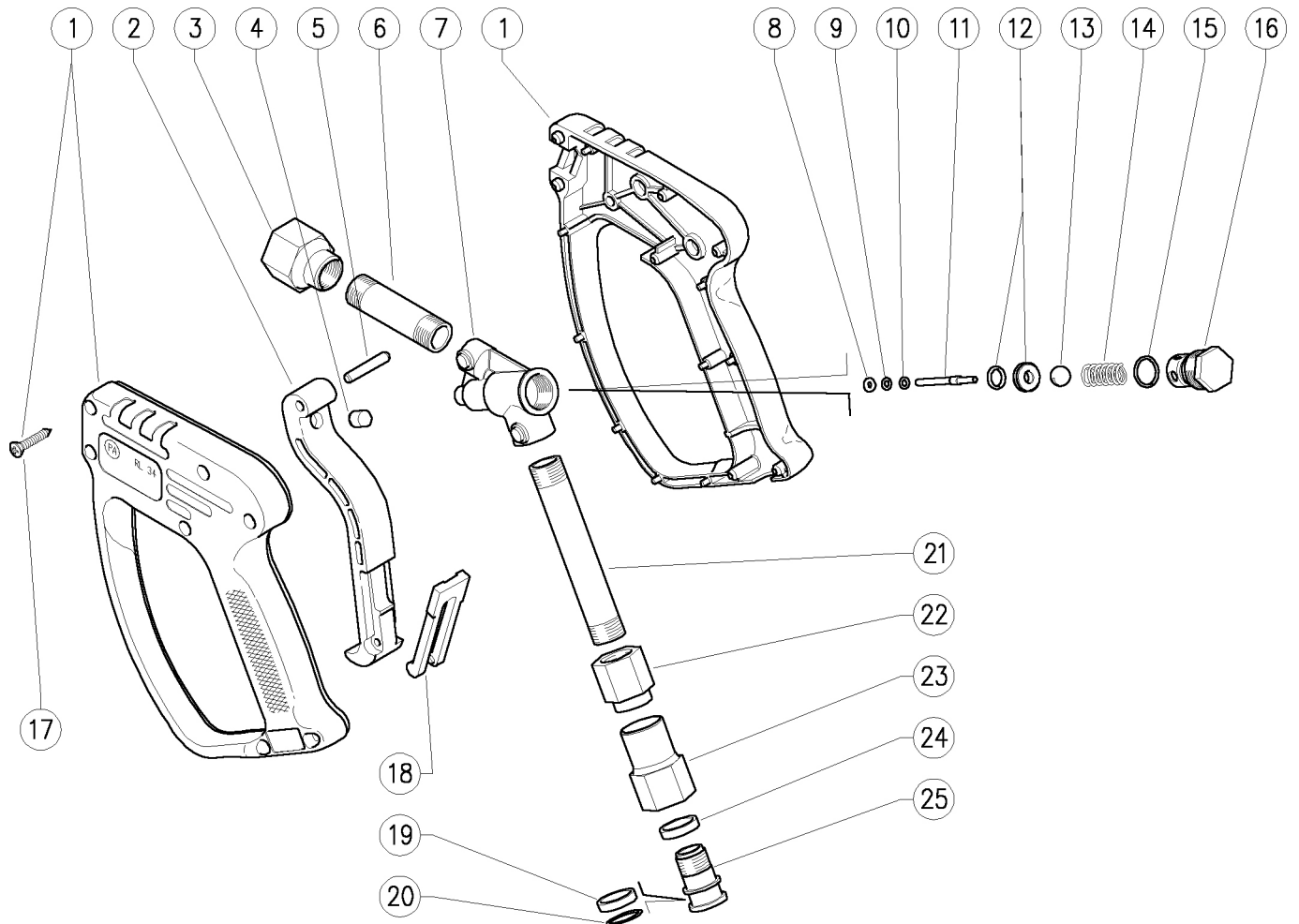
CARATTERISTICHE TECNICHE  
SPECIFICATIONS

- PRESSIONE NOMINALE RATED PRESSURE	180 bar – 18 MPa (2600 psi)
- PRESSIONE CONSENTITA PERMISSIBLE PRESSURE	200 bar – 20 MPa (2900 psi)
- PORTATA MASSIMA MAX FLOW RATE	80 l/min (21 USG p.m.)
- TEMPERATURA MASSIMA MAX WORKING TEMPERATURE	160° C (320 °F)

MISURE D'INGOMBRO  
OVERALL DIMENSIONS



### 30.2900.00 RL34 brass spr.gun sw5- 1/2F-1/2F Bsp



Pos.	P/N	Description	Q.ty	K1	K2	K3	K4	Pos.	P/N	Description	Q.ty	K1	K2	K3	K4
1	30.2903.24	Casing-kit -RL34 +screws, Sst.	1					14	30.4108.51R	Spring, 1,6x8,8x24 mm Sst.	1				10
2	30.2543.84R	Blue trigger RL34-82	1					15	10.3060.10R	O-ring, 1,78x12,42 mm Vi 70	1	•			10
3	30.3171.31R	Coupl., M16x1F-1/2F Bsp brass	1					16	30.2803.31R	Spring plug M18 brass	1				5
4	30.0675.84R	Stop pin, 8x7,1mm PA	1					17	16.3075.51R	S/tapping scr. 3,5x18 mm sst.	7				10
5	30.2517.31R	Parallel pin, 5x27,5 mm brass	1					18	30.1510.84R	Safety latch, PA red	1				10
6	30.3180.36R	Tube L.57mm M16x1mm brass	1					19	26.1075.85R	Bushing, open 15,5x19x4mm	1	•	•		10
7	30.2901.35R	Brass housing RL34	1					20	10.3092.10R	O-ring, 2x15 mm Vi 70	1	•	•		10
8	10.4018.00R	Back-up ring, 3,2x7,5x1,2 mm	1	•				21	30.3173.36R	Tube L.96mm M16x1 mm brass	1				5
9	10.3165.00R	O-ring, 2,62x2,84 mm Vi 70	1	•				22	30.3181.31R	Coupling M15xM16 Brass	1				3
10	14.3511.00R	Washer, 3,2x7x0,5 mm sst.	1					23	30.3182.31R	Coupling1/2 F Bsp, nickel-plated brass	1	•			3
11	30.2802.51R	Sst.plunger D.4x3x L.43mm	1	•				24	26.1074.85R	Bushing, 15,5x19x4 mm PTFE	1	•	•		10
12	30.2806.20R	Seat, 9mm Sst.+O-ring	1	•				25	26.1072.31R	Pin, M15x1-19 mm brass	1	•			10
13	14.7461.00R	Ball, 13/32" Sst.	1	•											
Kit	P/N	Description													
K1	30.2905.24	Spares kit -RL34, 9(10)x1pcs.	1												
K2	30.9024.99R	Kit sw5 1/2 Bsp x RL34 brass w/out M15 nipp.	5												