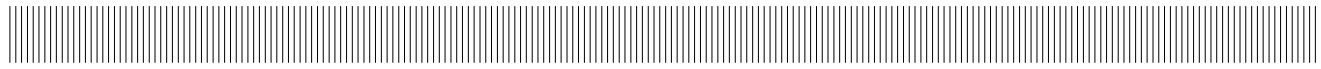


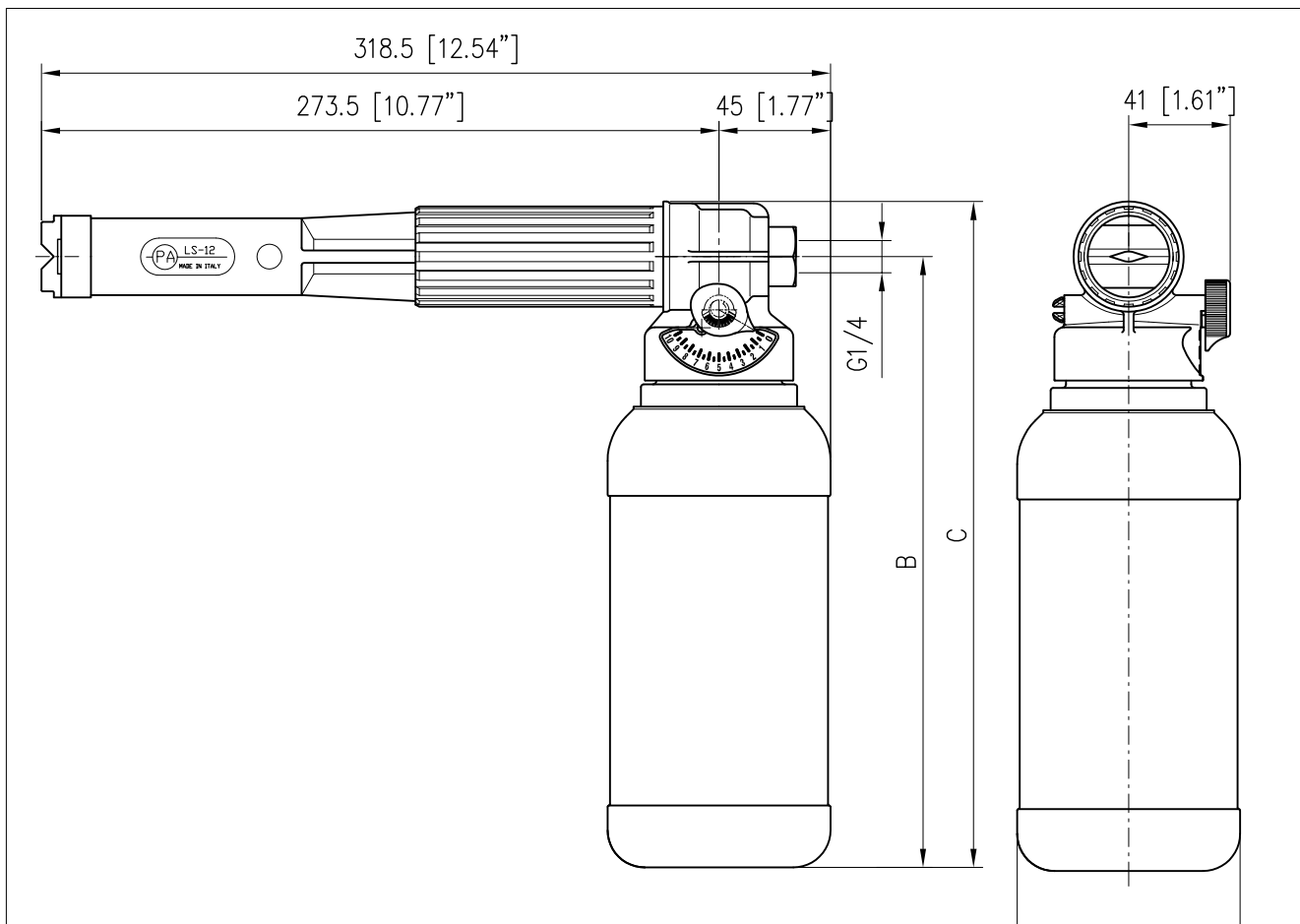
	EQUIPAGGIAMENTI TECNICI LAVAGGIO	LANCIA SCHIUMA CON SERBATOIO LS12 FOAM LANCE WITH TANK LS12		
			26/05/06	



SPECIFICHE TECNICHE  
SPECIFICATION

- PRESSIONE NOMINALE RATED PRESSURE	200 bar (2900 psi)
- PRESSIONE CONSENTITA PERMISSIBLE PRESSURE	220 bar (3200 psi)
- PORTATA MASSIMA MAX FLOW RATE	25 l/min ( 6.5 GPM)
- TEMPERATURA MASSIMA MAX WORKING TEMPERATURE	60° C ( 140° F )

MISURE D'INGOMBRO  
OVERALL DIMENSIONS

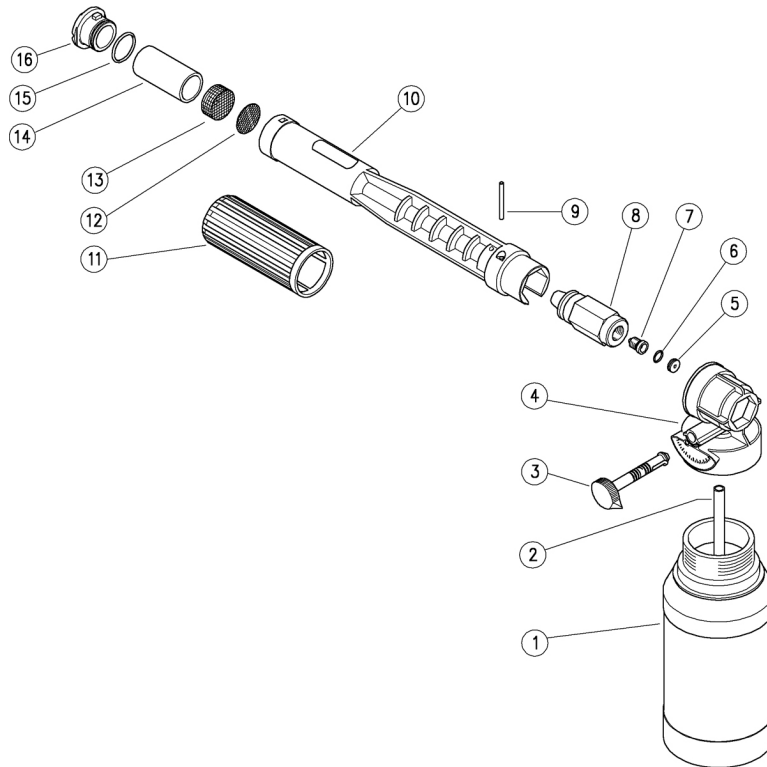


CODICE CODE	UGELLO NOZZLE	A	B	C
25.1840.15	ø1.5 [0.06"]	ø90 [3.54"]	247 [9.7"]	269 [10.6"]
25.1840.21	ø2.1 [0.08"]	ø90 [3.54"]	247 [9.7"]	269 [10.6"]
25.1842.15	ø1.5 [0.06"]	ø120 [4.72"]	287 [11.3]	309 [12.2"]

25.1840.15 LS12 Lan.schiu.1,5mm+serbat.L.1

25.1842.15 LS12 Lan.schiu.1,5mm+serbat.2L

25.1840.21 LS12 Lan.schiu.2,1mm+serbat.1L



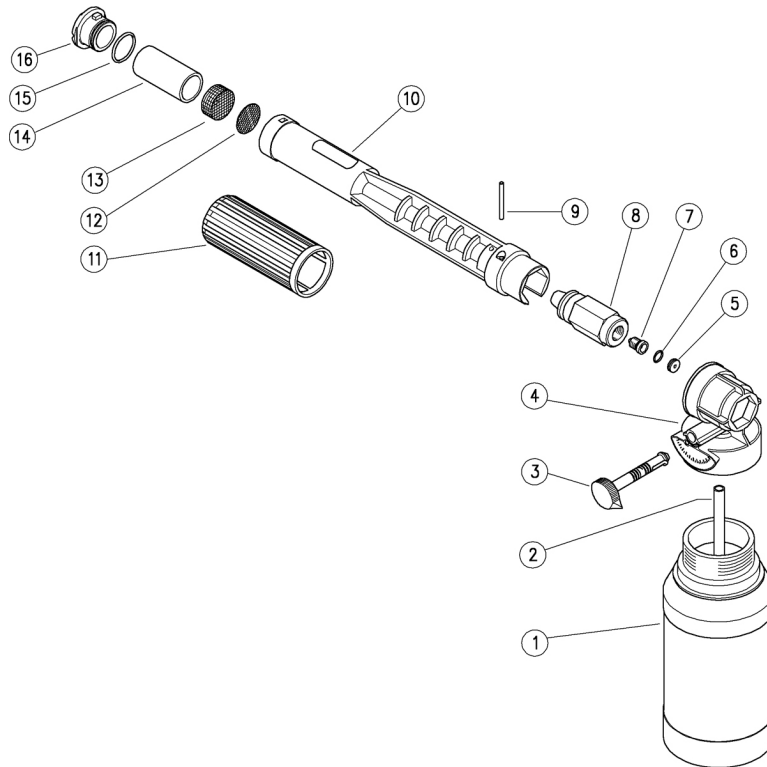
Pos.	Codice	Descrizione	Q.tà	K1	K2	K3	K4		Pos.	Codice	Descrizione	Q.tà	K1	K2	K3	K4	
1	14.6506.00	Serbat.L.1,0 tondo-bocca 45mm	1					10	7	21.0004.51	Ugello M8x1 - 2,1 mm inox (2)	1					10
1	14.6507.00	Serbat.L.2,0 tondo-bocca 45mm (1)	1					10	8	25.1841.31	Corpo eiettore LS12	1					3
2	29.0822.85	Tubo 5x8x170 mm PVC trasp.	1		*			10	9	30.6416.31	Spina cil. 5x34 mm ott.	1					5
2	29.0852.85	Tubo 5x8x210 mm PVC trasp. (1)	1					1	10	25.1801.84	Corpo lancia LS12	1					5
3	25.1817.84	Albero regolatore detergente	1					5	11	25.1805.84	Manopola LS12	1					5
4	25.1816.84	Corpo porta bottiglia	1					5	12	29.0802.53	An. Diaframma 25x0,5 mm inox	1					10
5	25.0085.31	Inserto ugello	1					5	13	25.1806.51	Filtro pressato 25x10mm 12g inox	1					10
5	25.1811.31	Inserto x ug.d.3,3mm (2)	1					5	14	25.1831.85	Anello distanziale LS12	1					5
6	10.3003.00	An.OR 1x8 mm	1					10	15	10.3072.10	An.OR 1,78x20,35 mm Vi 70	1					10
7	21.0007.51	Ugello M8x1 - 1,5 mm inox	1					10	16	25.1802.84	Ugello anteriore LS12	1					5


(1) 25.1842.15 (2) 25.1840.21


25.1840.15 LS12 Foamer 1,5mm+1L tank

25.1840.21 LS12 Foamer 2,1mm+1L tank

25.1842.15 LS12 Foamer 1,5mm+2L tank



Pos.	P/N	Description	Q.ty	K1	K2	K3	K4	
1	14.6506.00	Tank,L.1,0 round-45mm inlet	1					10
1	14.6507.00	Tank,L.2,0 round-45 mm inlet (1)	1					10
2	29.0822.85	Hose, 5x8x170 mm PVC transp.	1	*				10
2	29.0852.85	Hose, 5x8x210 mm PVC transp. (1)	1					1
3	25.1817.84	Detergent Adjusting Pin	1					5
4	25.1816.84	Tank holder	1					5
5	25.0085.31	Nozzle insert	1					5
5	25.1811.31	Nozzle insert (2)	1					5
6	10.3003.00	O-ring, 1x8 mm	1					10
7	21.0007.51	Nozzle, M8x1 - 1,5 mm Sst.	1					10

Pos.	P/N	Description	Q.ty	K1	K2	K3	K4	
7	21.0004.51	Nozzle, M8x1 - 2,1 mm Sst. (2)	1					10
8	25.1841.31	Injector housing -LS12	1					3
9	30.6416.31	Parallel pin, 5x34 mm brass	1					5
10	25.1801.84	Lance housing -LS12	1					5
11	25.1805.84	Knob -LS12	1					5
12	29.0802.53	Diaphragm, 25x0,5 mm Sst.	1					10
13	25.1806.51	Pressed strainer,25x10mm 12g Sst.	1					10
14	25.1831.85	Spacer ring -LS12	1					5
15	10.3072.10	O-ring, 1,78x20,35 mm Vi 70	1					10
16	25.1802.84	Front nozzle -LS12	1					5

(1) 25.1842.15 (2) 25.1840.21