

	E QUIPAGGIAMENTI T ECNICI L AVAGGIO	Lancia schiuma - Aspirazione detergente con eiettore esterno <i>Foamer - Suction through external injector</i> LS 12	 	<div style="border: 2px solid black; padding: 2px; display: inline-block;">3</div>
			04/06/09	



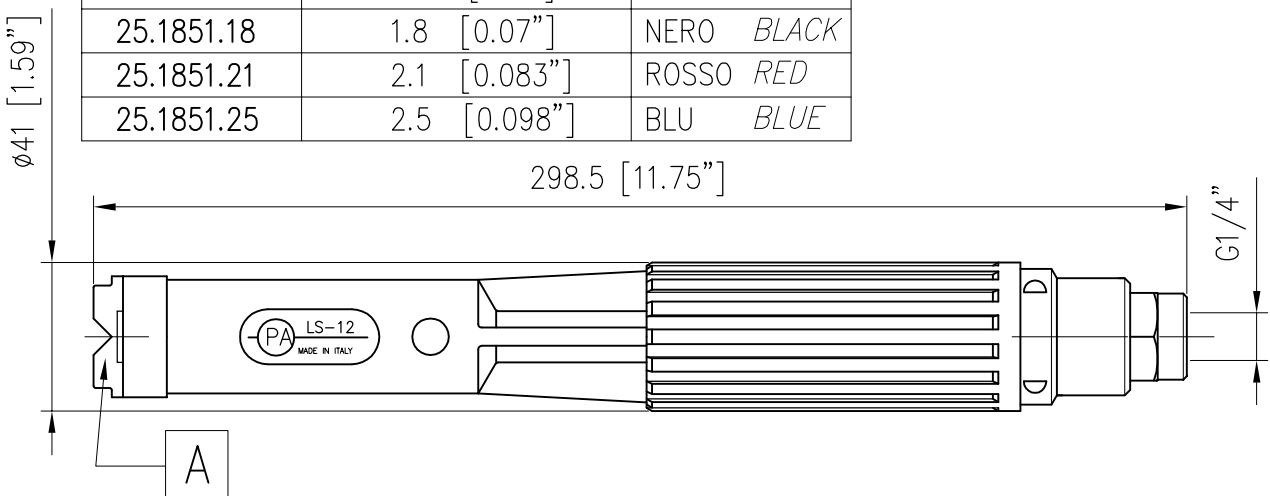
SPECIFICHE TECNICHE
SPECIFICATIONS

- PRESSIONE NOMINALE <i>RATED PRESSURE</i>	200 bar - 20 MPa (2900 psi)
- PRESSIONE CONSENTITA <i>PERMISSIBLE PRESSURE</i>	220 bar - 22 MPa (3200 psi)
- PORTATA MASSIMA <i>MAX FLOW RATE</i>	VEDI DIAGRAMMA <i>SEE CHART BELOW</i>
- TEMPERATURA MASSIMA <i>MAX WORKING TEMPERATURE</i>	60° C (140 °F)

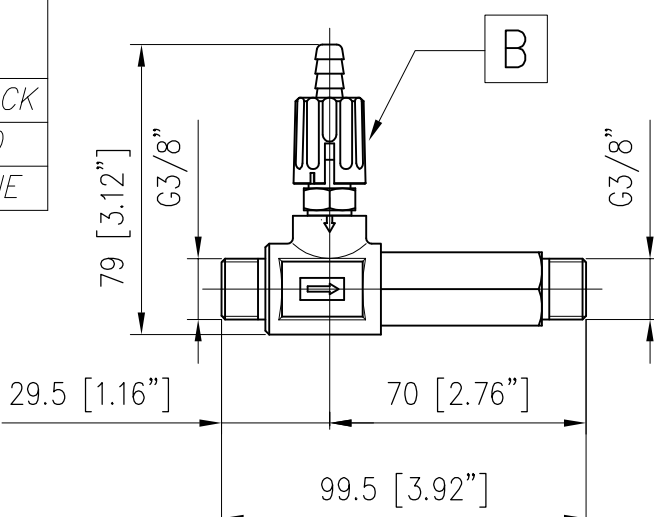
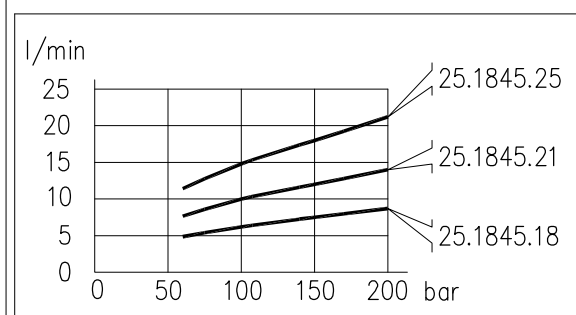
MISURE D'INGOMBRO
OVERALL DIMENSIONS

25.1845.18	25.1851.18 + 21.0600.12
25.1845.21	25.1851.21 + 21.0600.14
25.1845.25	25.1851.25 + 21.0600.18

CODICE <i>CODE</i>	UGELLO - NOZZLE mm. [inch.]	A
25.1851.18	1.8 [0.07"]	NERO <i>BLACK</i>
25.1851.21	2.1 [0.083"]	ROSSO <i>RED</i>
25.1851.25	2.5 [0.098"]	BLU <i>BLUE</i>

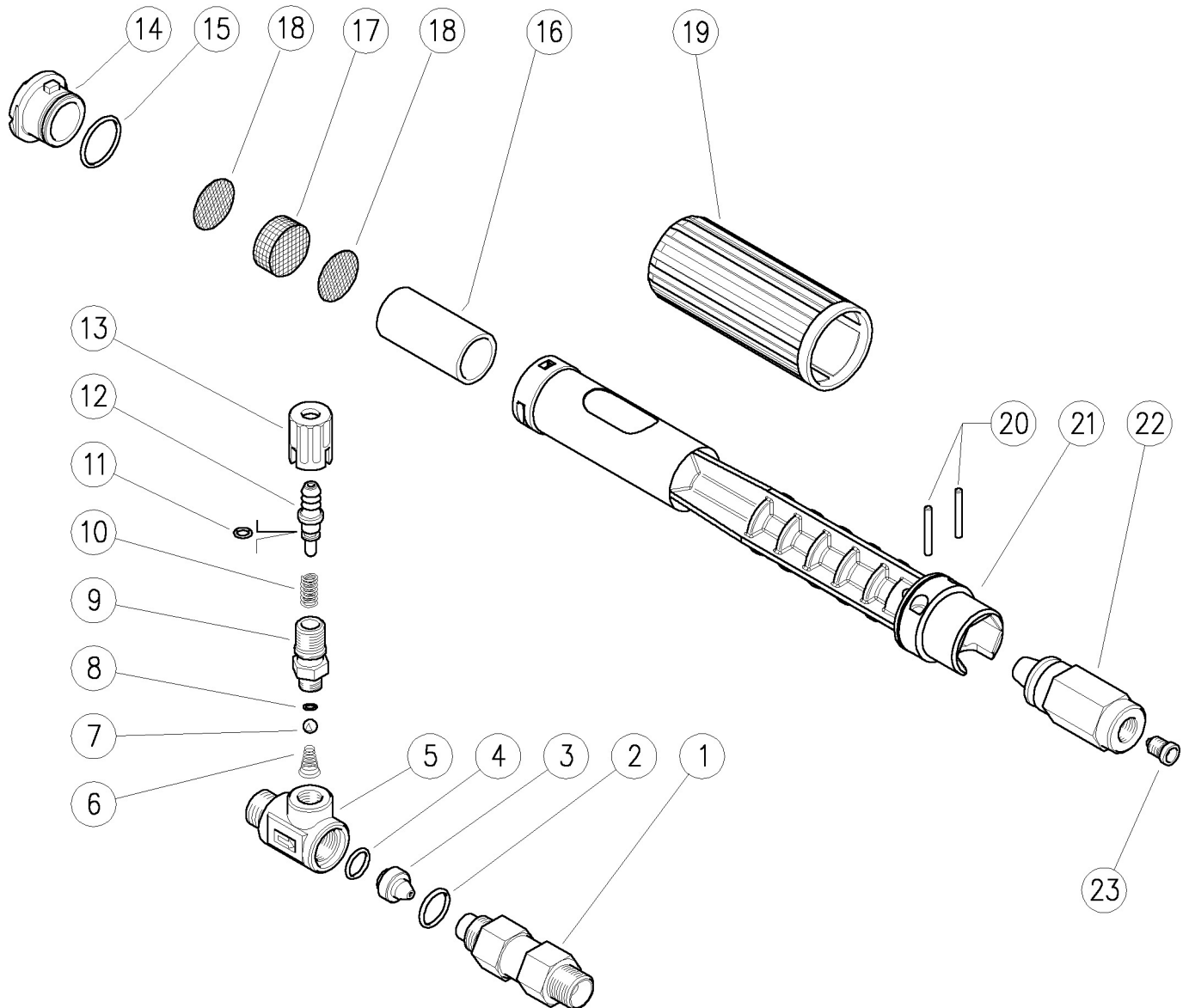


CODICE <i>CODE</i>	UGELLO - NOZZLE mm. [inch.]	B
21.0600.12	1.2 [0.047"]	NERO <i>BLACK</i>
21.0600.14	1.4 [0.055"]	ROSSO <i>RED</i>
21.0600.18	1.8 [0.07"]	BLU <i>BLUE</i>

21.0600.12 Eiettore regol. G3/8MM 1,2mm prolun.nero
 21.0600.14 Eiett.reg. G3/8MM 1,4mm prolung.rosso
 21.0600.18 Eiettore regol. G3/8MM 1,8mm prol.blù
 21.0600.21 Eiettore regol. G3/8MM 2,1mm prol.blù
 25.1845.18 LS12asp.e

25.1845.21 LS12asp.e
 25.1845.25 LS12asp.e Lan.schiu.2.5mm+eiett.est.1,8-blù
 25.1851.18 LS12 asp.e-lan.schiu.1,8mm nera
 25.1851.21 LS12 asp.e-lan.schiu.2,1mm rossa
 25.1851.25 LS12 asp.e-lan.schiu.2,5mm blù



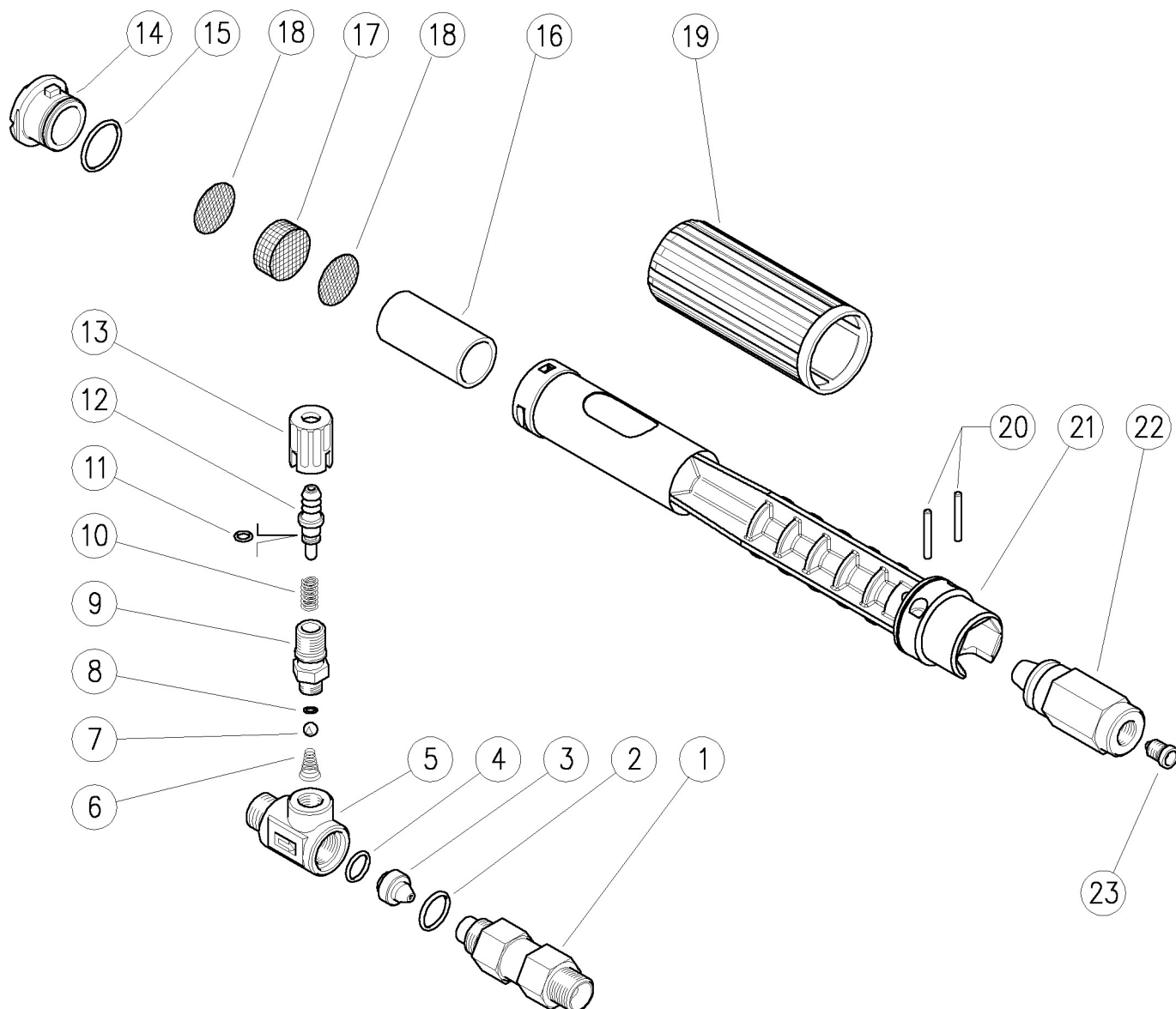
Pos.	Codice	Descrizione	Q.tà	K1	K2	K3	K4	Pos.	Codice	Descrizione	Q.tà	K1	K2	K3	K4
1	21.0602.31	Raccordo conico G3/8 MM	1				3	13	21.0174.84	Calotta G1/4 rossa (2)	1				10
2	10.3179.10	An.OR 2,62x13,94 mm Vi 70	1				10	13	21.0178.84	Calotta G1/4 blù (4,3)	1				10
3	21.0507.51	Ugello eiett. D.15 - 1,2 mm inox (1)	1				5	14	25.1802.84	Ugello anteriore plast.nero (1)	1				5
3	21.0508.51	Ugello eiett. D.15 - 1,4 mm inox (2)	1				5	14	25.1814.84	Ugello anteriore rosso (2)	1				5
3	21.0504.51	Ugello eiett. D.15 - 1,8 mm inox (3)	1				5	14	25.1827.84	Ugello anteriore LS10 plastica blù (3)	1				5
3	21.0505.51	Ugello eiett. D.15 - 2,1 mm inox (4) **	1				5	15	10.3072.10	An.OR 1,78x20,35 mm Vi 70	1				10
3	21.0506.51	Ugello eiett. D.15 - 2,3 mm inox **	1				5	16	25.1831.85	Anello distanziale LS12	1				5
4	10.3174.10	An.OR 2,62x9,93 mm Vi 70	1				10	17	25.1808.51	Filtro pressato 25x10mm 6g inox	1				10
5	21.0601.35	Corpo eiett. G3/8 MF ott.	1				3	18	29.0802.53	An. Diaframma 25x0,5 mm inox	2				10
6	21.0160.51	Molla conica inox eiett.	1				10	19	25.1805.84	Manopola LS12	1				5
7	14.7420.01	Sfera 7/32" inox Aisi 316	1				10	20	30.0509.31	Spina cil. 5x24,5 mm ott.	2				10
8	10.3049.00	An.OR 1,78x5,28 mm Vi 70	1				10	21	25.1801.84	Corpo lancia LS12	1				5
9	21.0173.31	Raccordo M12x1-G1/4M ott.	1				10	22	25.1836.31	Corpo eiettore LS12asp.e	1				3
10	21.0158.51	Molla 0,8x7x15 mm inox	1				10	23	21.0007.51	Ugello M8x1 - 1,5 mm inox	1				10
11	10.3043.01	An.OR 1,78x4,48 mm Vi 70	1				10	23	21.0002.51	Ugello M8x1 - 1,8 mm inox (1)	1				10
12	21.0155.99	Portagomma 8 mm ott.+or	1				3	23	21.0004.51	Ugello M8x1 - 2,1 mm inox (2)	1				10
13	21.0171.84	Manopola eiett. G1/4F nera (1)	1				10	23	21.0009.51	Ugello M8x1 - 2,5 mm inox (3)	1				10

** Su richiesta

(1) 25.1845.18 (2) 25.1845.21 (3) 25.1845.25 (4) 21.0600.21

21.0600.12 Injector,adjust. 3/8MM Bsp 1,2mm
 21.0600.14 Inject.,adj. 3/8MM Bsp 1,4mm extrn.red
 21.0600.18 Inject.,adj. 3/8MM Bsp 1,8mm extrn.blue
 21.0600.21 Inject.,adj. 3/8MM Bsp 2,1mm extrn.blue
 25.1845.18 LS12asp.e Foamer 1,8mm+ext.inje.1,2-black

25.1845.21 LS12asp.e Foamer 2.1mm+ext.inject.1,4-red
 25.1845.25 LS12asp.e Foamer 2.5mm+ext.inject.1,8-blue
 25.1851.18 LS12 asp.e Foam lance exter.suct. 1,8-black
 25.1851.21 LS12 asp.e Foam lance exter.suct. 2,1mm
 25.1851.25 LS12 asp.e Foam lance exter.suct. 2,5-blue



Pos.	P/N	Description	Q.ty	K1	K2	K3	K4	Pos.	P/N	Description	Q.ty	K1	K2	K3	K4
1	21.0602.31	Tapered coupling, 3/8MM Bsp	1				3	13	21.0174.84	Inject.knob, 1/4F Bsp red (2)	1				10
2	10.3179.10	O-ring, 2,62x13,94 mm Vi 70	1				10	13	21.0178.84	Inject.knob, 1/4F Bsp blue (4,3)	1				10
3	21.0507.51	Inject.nozzle, D.15 - 1,2 mm Sst. (1)	1				5	14	25.1802.84	Front nozzle -LS10-12 black (1)	1				5
3	21.0508.51	Inject.nozzle, D.15 - 1,4 mm Sst. (2)	1				5	14	25.1814.84	Front nozzle -LS10-12 red (2)	1				5
3	21.0504.51	Inject.nozzle, D.15 - 1,8 mm Sst. (3)	1				5	14	25.1827.84	Front Nozzle LS10 plastic blue (3)	1				5
3	21.0505.51	Inject.nozzle, D.15 - 2,1 mm Sst. (4) **	1				5	15	10.3072.10	O-ring, 1,78x20,35 mm Vi 70	1				10
3	21.0506.51	Inject.nozzle, D.15 - 2,3 mm Sst. **	1				5	16	25.1831.85	Spacer ring -LS12	1				5
4	10.3174.10	O-ring, 2,62x9,93 mm Vi 70	1				10	17	25.1808.51	Pressed strainer,25x10mm 6g Sst.	1				10
5	21.0601.35	Inject.housing, 3/8MF Bsp brass	1				3	18	29.0802.53	Diaphragm, 25x0,5 mm Sst.	2				10
6	21.0160.51	Tapered spring, Sst. -inject.	1				10	19	25.1805.84	Knob -LS12	1				5
7	14.7420.01	Ball, 7/32" Sst. Aisi 316	1				10	20	30.0509.31	Parallel pin, 5x24,5 mm brass	2				10
8	10.3049.00	O-ring, 1,78x5,28 mm Vi 70	1				10	21	25.1801.84	Lance housing -LS12	1				5
9	21.0173.31	Coupling, M12x1-1/4M Bsp brass	1				10	22	25.1836.31	Injector housing -LS12asp.e	1				3
10	21.0158.51	Spring, 0,8x7x15 mm Sst.	1				10	23	21.0007.51	Nozzle, M8x1 - 1,5 mm Sst.	1				10
11	10.3043.01	O-ring, 1,78x4,48 mm Vi 70	1				10	23	21.0002.51	Nozzle, M8x1 - 1,8 mm Sst. (1)	1				10
12	21.0155.99	Hose barb, d.8 mm brass+o-ring	1				3	23	21.0004.51	Nozzle, M8x1 - 2,1 mm Sst. (2)	1				10
13	21.0171.84	Inject.knob, 1/4F Bsp black (1)	1				10	23	21.0009.51	Nozzle, M8x1 - 2,5 mm Sst. (3)	1				10

** On request

(1) 25.1845.18 (2) 25.1845.21 (3) 25.1845.25 (4) 21.0600.21

P.A. SpA EQUIPAGGIAMENTI TECNICI DEL LAVAGGIO

Via Milano, 13 42048 Rubiera - (RE) ITALY
Tel +39 0522 623611 (ric aut) - Fax +39 0522 629600
Info@pa-etl.it - www.pa-etl.it

COMPANY WITH QUALITY MANAGEMENT
SYSTEM CERTIFIED BY DNV
= ISO 9001:2008 =