	EQUIPAGGIAMENTI TECNICI LAVAGGIO	LS 10 Lancia schiuma Foamer	① ② ③	3
				04/05/06

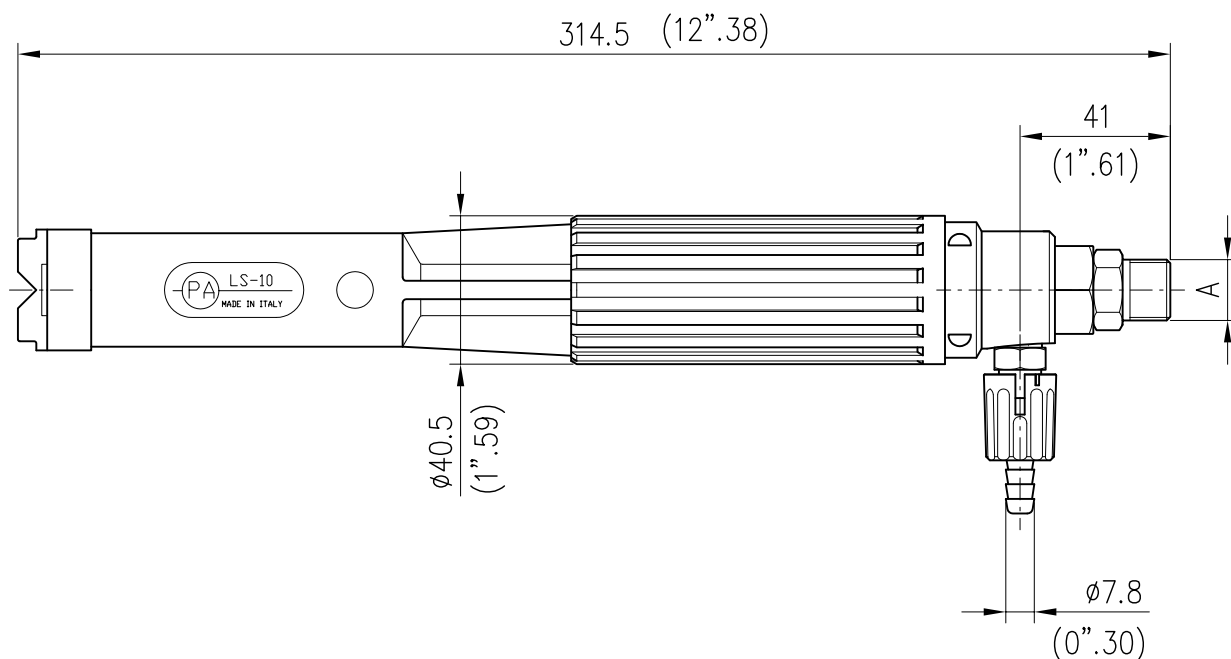


SPECIFICHE TECNICHE
SPECIFICATIONS

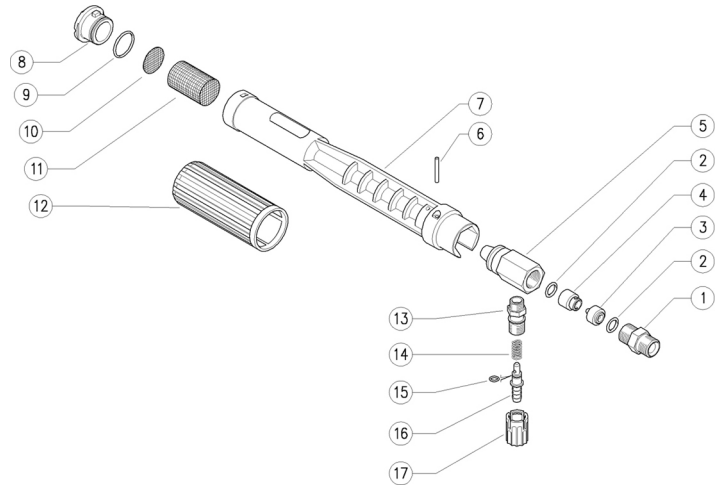
- PRESSIONE NOMINALE RATED PRESSURE	200 bar – 20 MPa (2900 psi)
- PRESSIONE CONSENTITA PERMISSIBLE PRESSURE	220 bar – 22 MPa (3200 psi)
- PORTATA MASSIMA MAX FLOW RATE	25 l/min (6.5 USG p.m.)
- TEMPERATURA MASSIMA MAX WORKING TEMPERATURE	60° C (140 °F)

MISURE D'INGOMBRO
OVERALL DIMENSIONS


CODICE CODE	A
25.1860.15	G 3/8 M
25.1860.00	G 1/4 F



25.1860.00 LS10 lan.schiu.G1/4F-ug.1,5mm

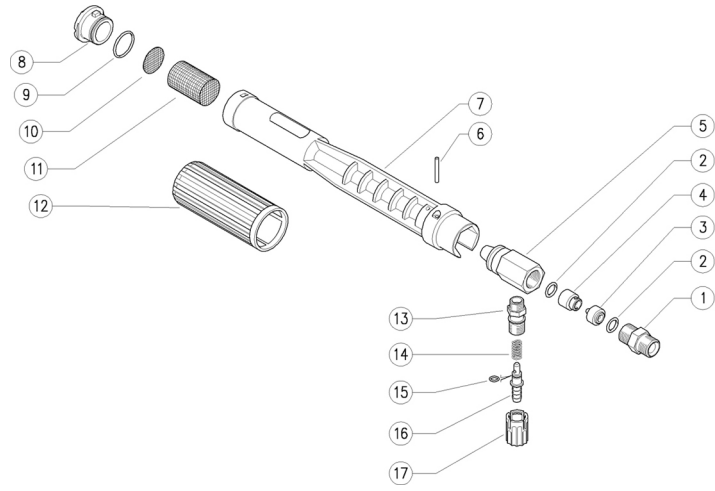


25.1860.15 LS10 lan.schiu.G3/8M-ug.1,5mm


Pos.	Codice	Descrizione	Q.tà	K1	K2	K3	K4	
1	29.0825.31	Nipplo G3/8M-G1/4F ott. (1)	1					5
1	13.5024.31	Nipplo ott. G3/8MM (2)	1					25
2	10.3174.00	An.OR 2,62x9,93 mm	2					10
3	29.0806.51	Ugello LS10 1,5 mm inox	1					5
4	29.0807.51	Controugello inox	1					5
5	25.1837.31	Corpo eiettore LS10 ottone	1					3
6	30.0509.31	Spina cil. 5x24,5 mm ott.	1					10
7	25.1838.84	Corpo lancia LS10 plastica blu	1					5
8	25.1827.84	Ugello anteriore LS10 plastica blu	1					5
9	10.3072.10	An.OR 1,78x20,35 mm Vi 70	1					10
10	29.0802.53	An. Diaframma 25x0,5 mm inox	1					10
11	29.0803.85	Filtro PA	1					5
12	25.1828.84	Copertura LS10 plastica blu	1					5
13	21.0173.31	Raccordo M12x1-G1/4M ott.	1					10
14	21.0158.51	Molla 0,8x7x15 mm inox	1					10
15	10.3043.01	An.OR 1,78x4,48 mm Vi 70	1					10
16	21.0155.31	Portagomma 8 mm ott.	1					10
17	21.0171.84	Manopola eiett. G1/4F	1					10

(1) 25.1860.00 (2) 25.1860.15

25.1860.00 LS10 foamer 1/4F Bsp-1,5mm nzl.



25.1860.15 LS10 foamer 3/8M Bsp-1,5mm nzl.

Pos.	P/N	Description	Q.ty	K1	K2	K3	K4	
1	29.0825.31	Nipple, 3/8M-1/4F Bsp brass (1)	1					5
1	13.5024.31	Nipple, brass 3/8MM Bsp (2)	1					25
2	10.3174.00	O-ring, 2,62x9,93 mm	2					10
3	29.0806.51	Nozzle -LS10, 1,5 mm Sst.	1					5
4	29.0807.51	Counter-nozzle, Sst.	1					5
5	25.1837.31	Injector Body LS10,Brass	1					3
6	30.0509.31	Parallel pin, 5x24,5 mm brass	1					10
7	25.1838.84	Casing -LS10 plastic, blue	1					5
8	25.1827.84	Front Nozzle LS10 plastic blue	1					5
9	10.3072.10	O-ring, 1,78x20,35 mm Vi 70	1					10
10	29.0802.53	Diaphragm, 25x0,5 mm Sst.	1					10
11	29.0803.85	Strainer, PA	1					5
12	25.1828.84	Cover -LS10 plastic blue	1					5
13	21.0173.31	Coupling, M12x1-1/4M Bsp brass	1					10
14	21.0158.51	Spring, 0,8x7x15 mm Sst.	1					10
15	10.3043.01	O-ring, 1,78x4,48 mm Vi 70	1					10
16	21.0155.31	Hose barb, d.8 mm brass	1					10
17	21.0171.84	Inject.knob, 1/4F Bsp	1					10

(1) 25.1860.00 (2) 25.1860.15