


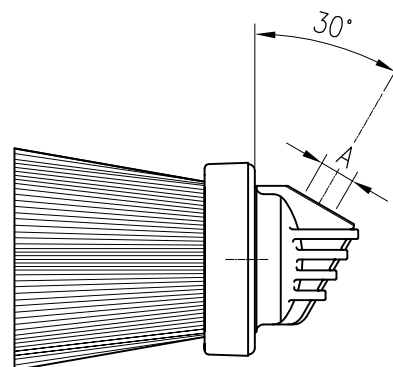
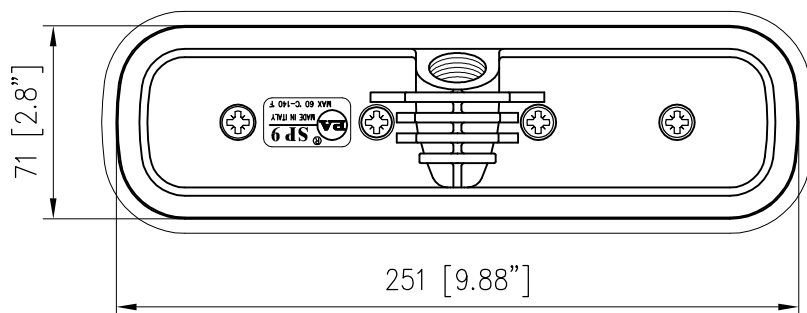
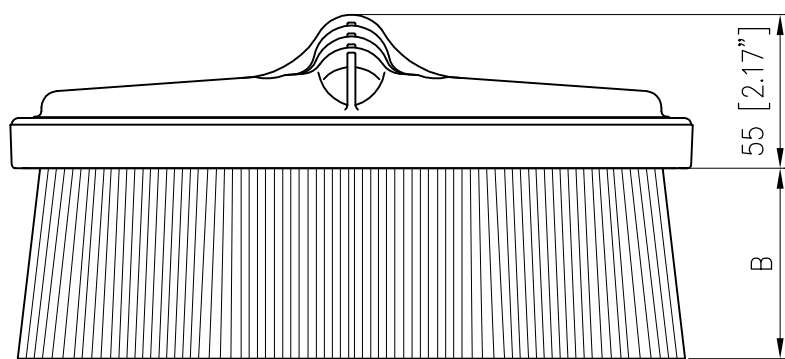
	E QUIPAGGIAMENTI T ECNICI L AVAGGIO	SPAZZOLA PER CAR-WASH CAR WASH BRUSH 29.0530.00		
				

SPECIFICHE TECNICHE
SPECIFICATIONS

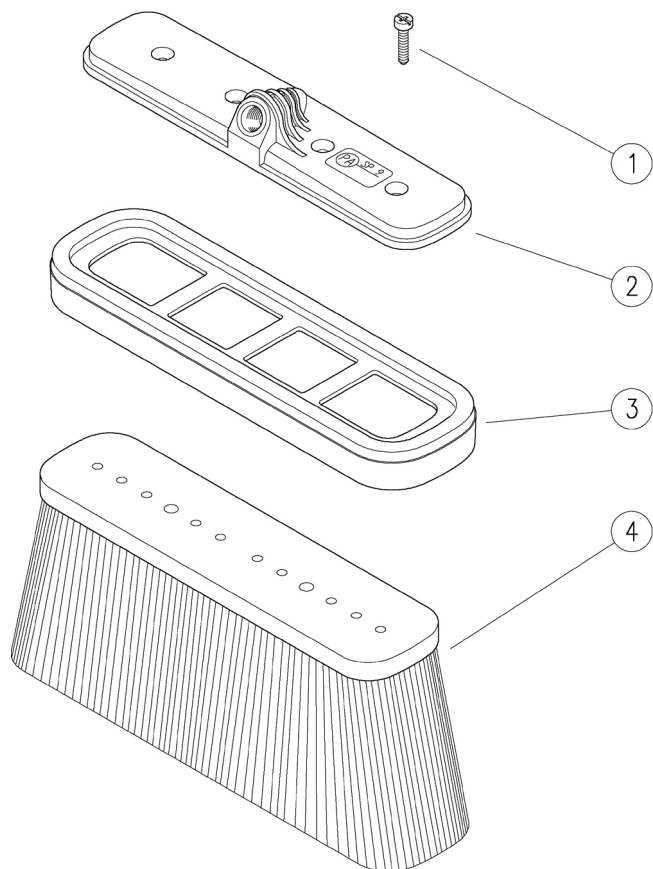
- PRESSIONE NOMINALE RATED PRESSURE	0.5 MPa (72.5 psi)
- TEMPERATURA MASSIMA MAX WORKING TEMPERATURE	60° C (140 °F)
- MATERIALI MATERIAL	- COPERCHIO DI SUPPORTO: PP+FG HOLDER: PP+FG - PROTEZIONE LATERALE: GOMMA MORBIDA GUARD BUMPER: SHOCKPROOF SOFT RUBBER - VITI INOX SST SCREWS - SETOLE SINTETICHE (UP) ANTIGRAFFIO RESISTENTI A DETERGENTI E SCHIUMOGENI NON SCRATCH SYNTHETIC (UP) BRISTLES RESISTANT TO DETERGENTS AND FOAMING AGENTS

MISURE D'INGOMBRO
OVERALL DIMENSIONS


CODICE CODE	A	B
29.0530.00	G 1/4 F	77 [3.00"]
29.0540.00	1/2 NPT	97 [3.8"]
29.0545.00	G 1/4 F	97 [3.8"]



29.0530.00 SP9 Spaz.fissa G1/4F crine nero 77 mm

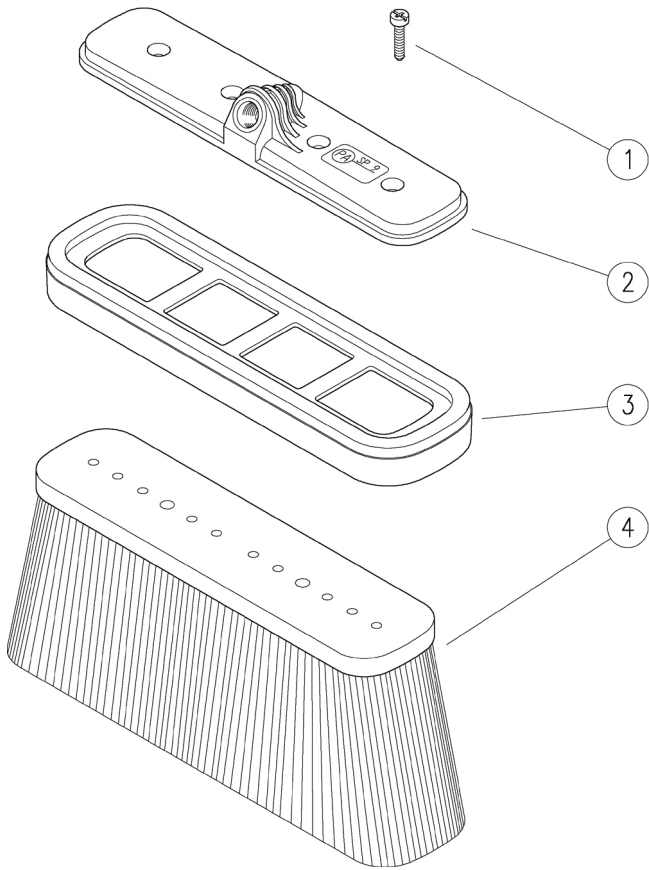


29.0540.00 SP9 Spaz.fissa 1/2NptF crine nero 97mm


Pos.	Codice	Descrizione	Q.tà	K1	K2	K3	K4	
1	16.3099.25	Vite autofil. 6x25 mm inox	4					10
2	29.0533.22	Coperchio nero G1/4 F	1					3
2	29.0543.22	COPERCHIO NERO 1/2NPT F (1)	1					3
3	29.0535.85	Guarnizione laterale	1					5
4	29.0532.21	Supporto con crine nero 77 mm	1					5
4	29.0542.21	Supporto con crine nero 97 mm (1)	1					3

(1) 29.0540.00

29.0530.00 SP9 Brush 1/4 Bsp F black hair 77mm(3')



29.0540.00 SP9 Brush 1/2NptF black hair 97mm(3,8')

Pos.	P/N	Description	Q.ty	K1	K2	K3	K4	
1	16.3099.25	S/tapping screw, 6x25 mm Sst.	4					10
2	29.0533.22	Head, black 1/4 Bsp F	1					3
2	29.0543.22	HEAD, BLACK 1/2 NPT F (1)	1					3
3	29.0535.85	Rubber gasket	1					5
4	29.0532.21	Holder w/ black hair 77 mm	1					5
4	29.0542.21	Holder w/ black hair 97 mm (1)	1					3

(1) 29.0540.00