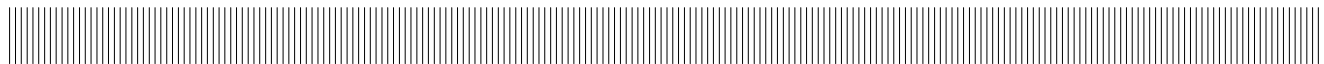
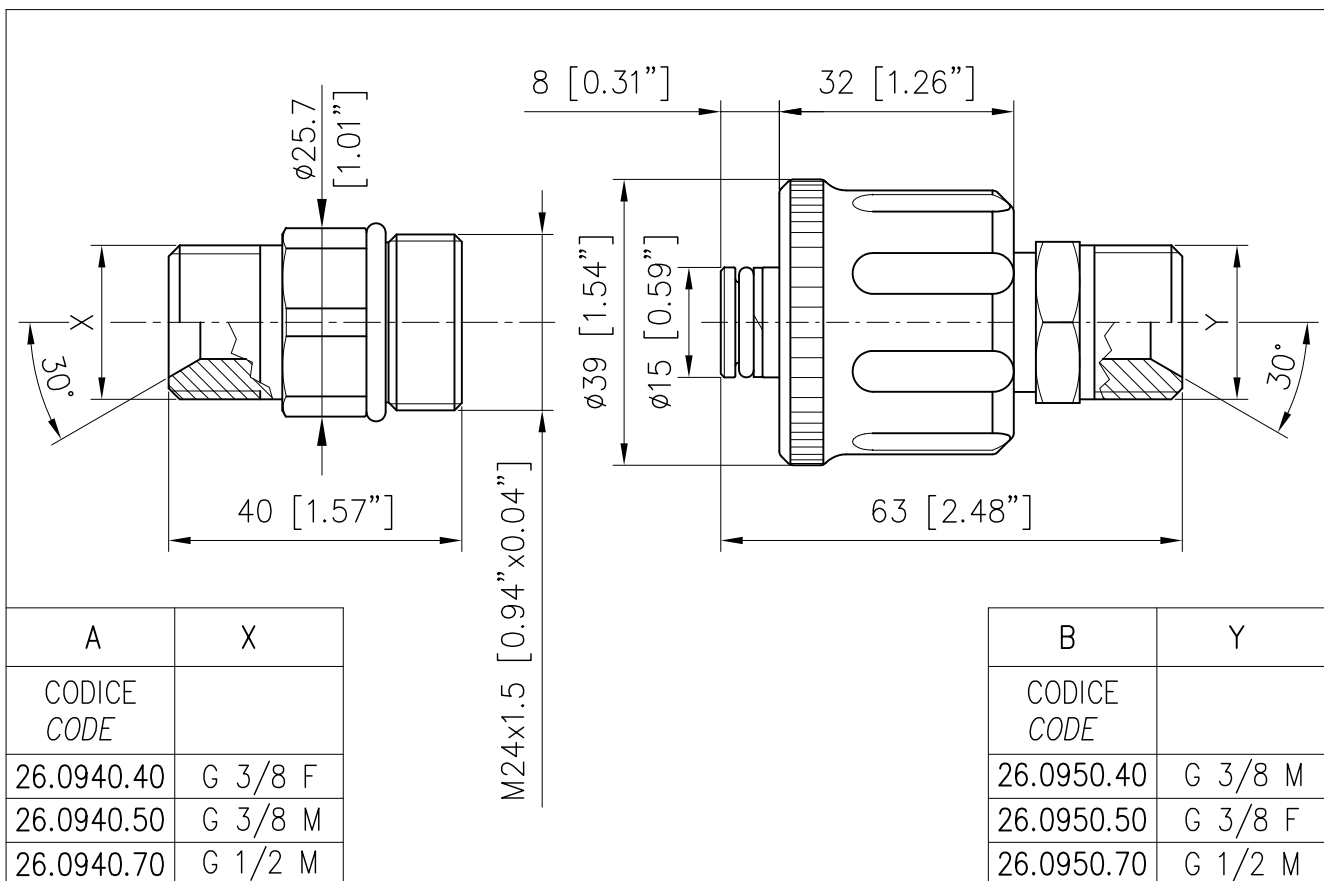
	EQUIPAGGIAMENTI TECNICI LAVAGGIO	AR9 ATTACCO PROLUNGATO 2 O-RING - M24 - D.15 mm. AR9 EXTENDET QUICK COUPLING 2 O-RING - M24 - D.0.59 in.	①	5
			Ⓜ	



CARATTERISTICHE TECNICHE
SPECIFICATIONS

- PRESSIONE NOMINALE RATED PRESSURE	600 bar - 60 MPa (8700 psi)
- PRESSIONE CONSENTITA PERMISSIBLE PRESSURE	660 bar - 66 MPa (9500 psi)
- PORTATA MASSIMA MAX FLOW RATE	80 l/min (21 USG p.m.)
- TEMPERATURA MASSIMA MAX WORKING TEMPERATURE	160° C (320°F)
- MATERIALE MATERIAL	CORPO E NIPPOLO IN ACCIAIO INOX CON MANOPOLA IN PLASTICA ANTIURTO E GUARNIZIONI OR IN NBR. STAINLESS STEEL BODY AND NIPPLE WITH SHOCKPROOF PLASTIC HANDLE AND NBR O RINGS.

MISURE D'INGOMBRO
OVERALL DIMENSIONS

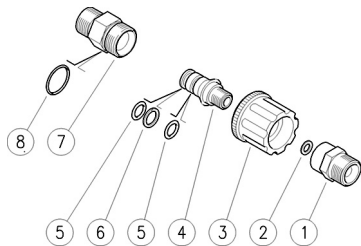


A	X
CODICE CODE	
26.0940.40	G 3/8 F
26.0940.50	G 3/8 M
26.0940.70	G 1/2 M

B	Y
CODICE CODE	
26.0950.40	G 3/8 M
26.0950.50	G 3/8 F
26.0950.70	G 1/2 M

26.0940.40 AR9 A M24 15mm nipplo ghiera,inox-G3/8F

26.0950.40 AR9 B M24,3pz 15mm att.rap.gh.,inox-3/8F



26.0950.50 AR9 B M24,3pz 15mm att.rap.gh.,inox-3/8M

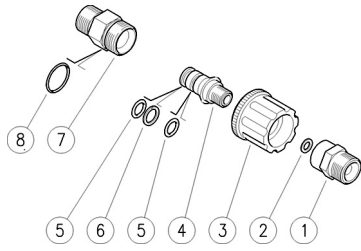
26.0950.70 AR9 B M24,3pz 15mm att.rap.gh.,inox-1/2M

Pos.	Codice	Descrizione	Q.tà	K1	K2	K3	K4	
1	26.0953.51	Riduz.inox M16x1F Ermeto G1/2M (1)	1					2
1	26.0954.51	Riduz.inox M16x1F -G3/8F (2)	1					2
1	26.0955.51	Riduz.in.M16x1F -G3/8M (3)	1					2
2	14.3713.00	Rosetta 9x13x1,5 mm Cu	1					10
3	26.0951.22	Girello AR9 M24x1,5-17,5mm rosso	1					3
4	26.0952.51	Spinotto 15mm-M16x1 inox	1					1
5	10.3110.10	An.OR 2,4x10,3 mm Ni 85	2					10
6	10.4011.01	An. anties. 11,2x14,9x1,2 mm	1					10
7	26.0942.51	Racc. AR9 M24x1,5-15mm-G3/8F inox (4)	1					10
7	26.0943.51	Racc. AR9 M24x1,5-15mm-G3/8M inox (5)	1					10
7	26.0941.51	Racc. AR9 M24x1,5-15mm-G1/2M inox (6)	1					10
8	10.3185.00	An.OR 2,5x20 mm	1					10

(1) 26.0950.70 (2) 26.0950.40 (3) 26.0950.50 (4) 26.0940.40 (5) 26.0940.50
(6) 26.0940.70

26.0940.40 AR9 A M24 15mm screw.nippl.,sst-3/8F Bsp

26.0950.40 AR9 B M24,3pcs 15mm scr.cpl,sst-3/8F Bsp



26.0950.50 AR9 B M24,3pcs 15mm scr.cpl,sst-3/8M Bsp

26.0950.70 AR9 B M24,3pcs 15mm scr.cpl,sst-1/2M Bsp

Pos.	P/N	Description	Q.ty	K1	K2	K3	K4	
1	26.0953.51	Reduct.sst M16x1F Ermeto 1/2 Bsp M (1)	1					2
1	26.0954.51	Reduct.sst M16x1F -3/8F Bsp (2)	1					2
1	26.0955.51	Reduct.sst M16x1F -3/8M Bsp (3)	1					2
2	14.3713.00	Washer, 9x13x1,5 mm Cu	1					10
3	26.0951.22	Hand nut -AR9, M24x1,5-17,5mm red	1					3
4	26.0952.51	Plug, 15mm-M16x1 Sst.	1					1
5	10.3110.10	O-ring, 2,4x10,3 mm Ni 85	2					10
6	10.4011.01	Back-up ring, 11,2x14,9x1,2 mm	1					10
7	26.0942.51	Fitt.-AR9, M24x1,5-15mm-3/8F Bsp brass (4)	1					10
7	26.0943.51	Fitt.-AR9, M24x1,5-15mm-3/8M Bsp brass (5)	1					10
7	26.0941.51	Fitt.-AR9, M24x1,5-15mm-1/2M Bsp brass (6)	1					10
8	10.3185.00	O-ring, 2,5x20 mm	1					10

(1) 26.0950.70 (2) 26.0950.40 (3) 26.0950.50 (4) 26.0940.40 (5) 26.0940.50
 (6) 26.0940.70